

SUZUKI
PARTS CATALOGUE

Satellite
120R

RU120LSCM

2004-03

1ST EDITION



SUKU CADANG ASLI, KUAT PASTI

PAKAILAH SELALU SGP UNTUK SEPEDA MOTOR SUZUKI ANDA

DAFTAR ISI - KELOMPOK MESIN



FIG	DESCRIPTION	PAGE
1	Cylinder Head	1

FIG	DESCRIPTION	PAGE
2	Crankcase	2
3	Crankcase Cover	3
8	Oil Pump	9
9	Clutch	10
13	Magneto	15

FIG	DESCRIPTION	PAGE
4	Crankshaft	4-5
5	Carburetor	6
10	Transmission	11
11	Gear Shifting	12-13
12	Kick Starter	14

DAFTAR ISI - KELOMPOK RANGKA



FIG	DESCRIPTION	PAGE
16	Speedometer	18
17	Head Lamp	19
18	Front Turn Signal Lamp	20
21	Handle Switch	23
31	Leg Shield	33
32	Front Fender	34
33	Handle Bar	35
34	Handle Cover	36
35	Handle Lever	37
38	Front Damper	40
39	Steering Stem	41
41	Front Caliper	43
42	Front Master Cylinder	44
47	Stripping Set	49

FIG	DESCRIPTION	PAGE
40	Front Wheel	42
44	Rear Wheel	46

FIG	DESCRIPTION	PAGE
6	Air Cleaner	7
2C	Fuel Tank	27
26	Fuel Cock	28
27	Oil Tank	29
28	Upper Cover	30
29	Front Cover	31
30	Side Cover	32
37	Seat	39



FIG	DESCRIPTION	PAGE
7	Muffler	8
23	Stand - Rear Brake	25
24	Footrest	26
43	Rear Swing Arm	45
45	Rear Caliper	47
46	Rear Master Cylinder	48

FIG	DESCRIPTION	PAGE
19	Tail Lamp	21
36	Rear Fender	38

FIG	DESCRIPTION	PAGE
14	Battery	16
15	Electrical	17
20	Wiring Harness	22
22	Frame	24

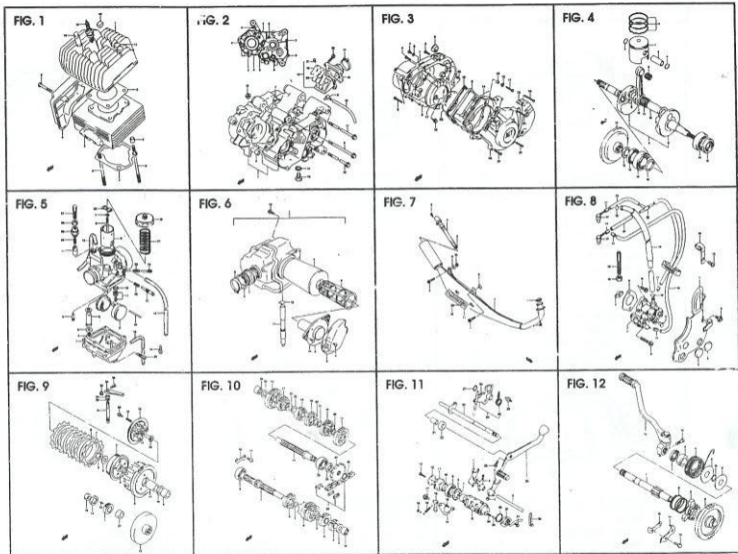


FIG. 13

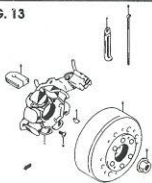


FIG. 14

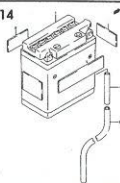


FIG. 15

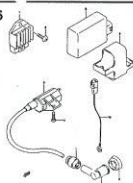


FIG. 16



FIG. 17

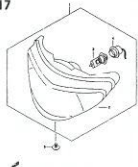


FIG. 18

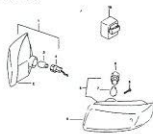


FIG. 19

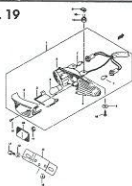


FIG. 20

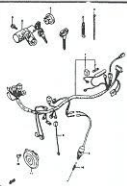


FIG. 21

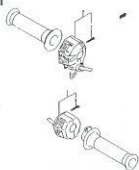


FIG. 22

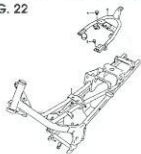


FIG. 23



FIG. 24

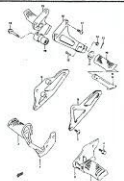


FIG. 25

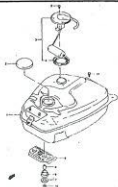


FIG. 26



FIG. 27



FIG. 28

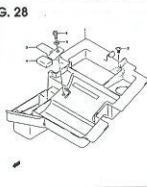


FIG. 29

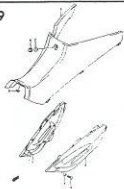


FIG. 30

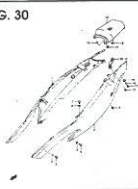


FIG. 31

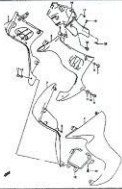


FIG. 32

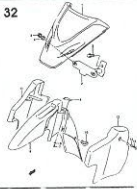


FIG. 33



FIG. 34

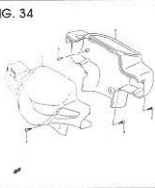


FIG. 35

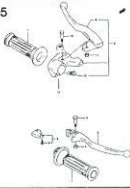


FIG. 36

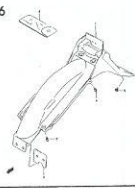


FIG. 37

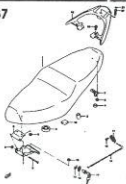


FIG. 38



FIG. 39



FIG. 40

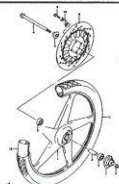


FIG. 41

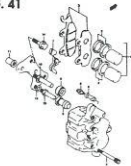


FIG. 42

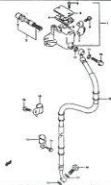


FIG. 43

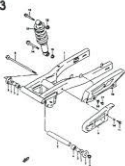


FIG. 44



FIG. 45

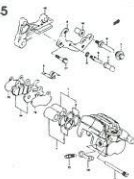


FIG. 46

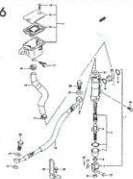


FIG. 47



FIG. 1

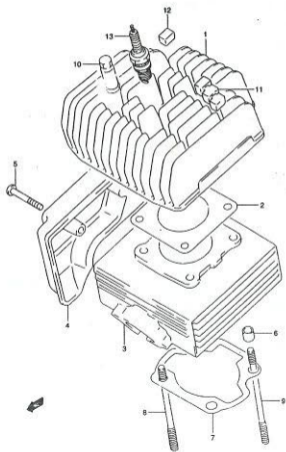


FIG. 1 (B - 2) CYLINDER

REF. NO.	PART NO.	DESCRIPTION	QTY	REMARKS
1	11111M21D71	CYLINDER HEAD	1	
2	11141-21D70L	GASKET, CYLINDER HEAD	1	
3	11210M21D71-0F0	CYLINDER	1	
4	11271M38D00	COVER, CYLINDER AIR	1	
5	02112-06353	SCREW	2	
6	04211-11189	PIN	2	
7	11241-38D01L	GASKET, CYLINDER	1	
8	09108-08113	STUD BOLT (8X113)	2	
9	09108-08114	STUD BOLT (8X123)	2	
10	09159-08041	NUT	4	
11	11151-21D00L	PAD, RUBBER (N4)	3	
12	11252-25000L	PAD, RUBBER (N1)	17	
13-1	09482-00750L	SPARK PLUG (NGK,BP8ES)	1	
13-2	09482-00650L	SPARK PLUG (DENSO,W24EP)	1	

FIG. 2

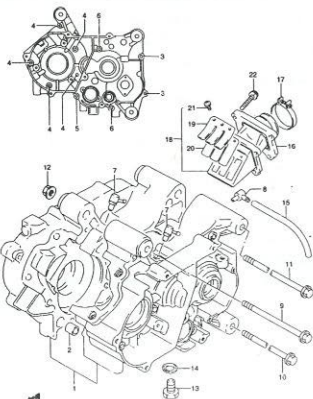


FIG. 2 (B - 3) CRANKCASE

REF. NO.	PART NO.	DESCRIPTION	QTY	REMARKS
1	11300M21D41	CRANKCASE ASSY	1	
2	04211-13189	.PIN	2	
3	02112-06403	.SCREW	2	
4	02112-06503	.SCREW	5	
5	02112-06603	.SCREW	1	
6	02112-06653	.SCREW	2	
7	16910-21D00	CHECK VALVE	2	
8	16910-09401	UNION, BREATHER HOSE	1	
9	09103-08109	BOLT, ENGINE MOUNT (8X120)	1	
10	09103-08372	BOLT, ENGINE MOUNT (8X190)	1	
11	09103-08278	BOLT, ENGINE MOUNT (8X225)	1	
12	08319-31087	NUT	3	
13	09247-14025	PLUG, DRAIN	1	
14	09168-14002	GASKET	1	
15	09352-42703-600	HOSE, BREATHER	1	L:600/135
16	13110-21D20	PIPE, INTAKE	1	
17	09402-36208	CLAMP, INTAKE PIPE	1	
18	13150-21D00	VALVE ASSY, REED	1	
19	13152-35400	.STOPPER	2	
20	13153-31C01	.VALVE, REED	2	
21	13154-35400	.SCREW	6	
22	02112-36253	SCREW	4	

FIG. 3

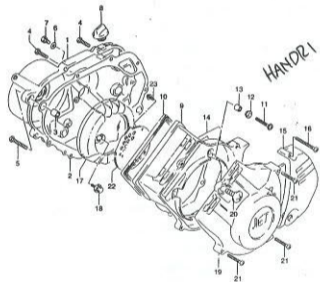


FIG. 3 (B - 4) CRANKCASE COVER

REF. NO.	PART NO.	DESCRIPTION	QTY	REMARKS
1	11341M21D51A392	COVER, CLUTCH	1	
2	11482-21D00L	GASKET, CLUTCH COVER	1	
3	04211-13189	PIN	2	
4	02112-06253	SCREW	8	
5	02112-06453	SCREW	1	
6	09168-06004	GASKET	1	
7	09128-06044	PLUG, OIL LEVEL	1	
8	09200-20810	PLUG, OIL FILLER	1	
9	11351M21D01-392	COVER, MAGNETO	1	
10	11389-21D00	CUSHION, MAGNETO COVER	1	
11	02112-16253	SCREW (L:25)	4	
12	09161-09006	WASHER	4	
13	09180-06266	SPACER	4	
14	11483-21D00L	CUSHION, MAGNETO COVER NO.2	1	
15	11361M21D01-392	COVER, ENGINE SPROCKET	1	
16	02112-06403	SCREW	2	
17	17110-31C00L	FAN, COOLING	1	
18	09118-06106	BOLT	2	
19	17131M21D01	COWLING, FAN	1	
20	09139-06071	SCREW	1	
21	02112-06303	SCREW	3	
22	17133M35412	PLATE, FAN COWLING	1	
23	02112-15083	SCREW	3	

FIG. 4

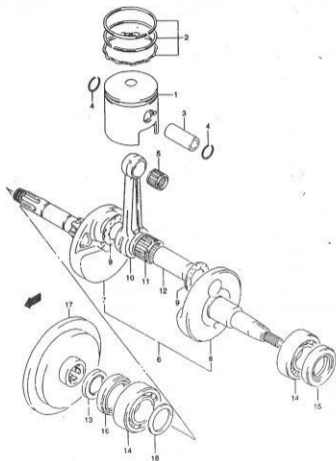


FIG. 4 (B - 5) CRANKSHAFT

REF. NO.	PART NO.	DESCRIPTION	QTY	REMARKS
1 -1	12110M21D71-0F0	.PISTON (STD)	1	
1 -2	12110M21D71-025	.PISTON (OS:0.25)	1	
1 -3	12110M21D71-050	.PISTON (OS:0.50)	1	
1 -4	12110M21D71-075	.PISTON (OS:0.75)	1	
1 -5	12110M21D71-100	.PISTON (OS:1.00)	1	
2 -1	12140-19D10-000	.RING SET, PISTON (STD)	1	
2 -2	12140-19D10-025	.RING SET, PISTON (OS:0.25)	1	
2 -3	12140-19D10-050	.RING SET, PISTON (OS:0.50)	1	
2 -4	12140-19D10-075	.RING SET, PISTON (OS:0.75)	1	
2 -5	12140-19D10-100	.RING SET, PISTON (OS:1.00)	1	
3	12151-36A00	.PIN PISTON	1	
4	09381-14001	.CIRCLIP	2	
5	09263-14030	BEARING, PISTON PIN	1	
6	1220U-21D80-0A0	CRANKSHAFT ASSY	1	
7	12221-21D80	.CRANKSHAFT, RH	1	
8	12261-21D70-0A0	.CRANKSHAFT, LH	1	
9	09160-2C032	.WASHER	2	
10	12161-21D00	.ROD, CONNECTING	1	
11	09263-20052	.BEARING	1	
12	12211-35401-0E0	.PIN, CRANK	1	
13	12359-21D00	SPACER, RH, NO.1	1	
14	09262-25070-0A0	BEARING, LH/RH	2	
15	09283-25066	OILSEAL, LH	1	
16	09289-32003L	OIL SEAL, RH	1	
17	12656-21D70	FLYWHEEL	1	

FIG. 4

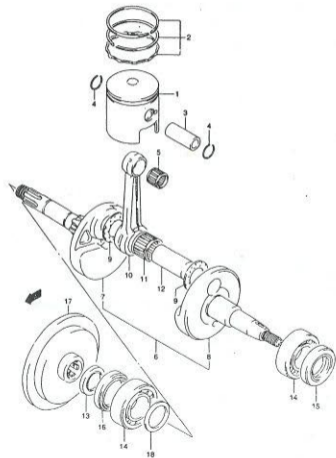


FIG. 4 (B - 6) CRANKSHAFT

REF. NO.	PART NO.	DESCRIPTION	QTY	REMARKS
18 -1	09181-25051	SHIM (T:0.60)	1	
18 -2	09181-25052	SHIM (T:0.65)	1	
18 -3	09181-25053	SHIM (T:0.70)	1	
18 -4	09181-25054	SHIM (T:0.75)	1	
18 -5	09181-25055	SHIM (T:0.80)	1	
18 -6	09181-25056	SHIM (T:0.85)	1	
18 -7	09181-25057	SHIM (T:0.90)	1	
18 -8	09131-25058	SHIM (T:0.95)	1	
18 -9	09181-25059	SHIM (T:1.00)	1	
18 -10	09181-25060	SHIM (T:1.05)	1	
18 -11	09181-25061	SHIM (T:1.10)	1	
18 -12	09181-25062	SHIM (T:1.15)	1	
18 -13	09181-25063	SHIM (T:1.20)	1	
18 -14	09181-25179	SHIM (T:1.25)	1	
18 -15	09181-25181	SHIM (T:1.30)	1	
19	12105-21812	ROD KIT, CONNECTING	1	NOT SHOWN INCLUDED REF. NO.5,9,10 AND 12

FIG. 5

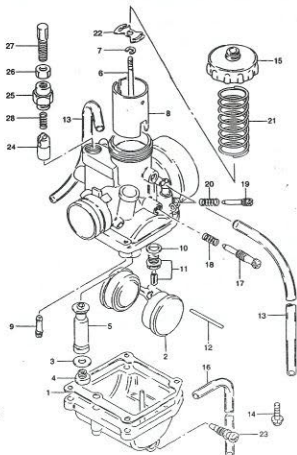


FIG. 5 (B - 7) CARBURETOR

REF. NO.	PART NO.	DESCRIPTION	QTY	REMARKS
	13200-21DD0	CARBURETOR ASSY	1	
1	13251-03410	.GASKET	1	
2	13250-04700	.FLOAT	1	
3	13382-03110	.WASHER	1	
4	09491-S00C7	.JET, MAIN (90)	1	
5	09494-G0543	.JET, NEEDLE (P-0)	1	
6	13383-21DA0	.NEEDLE, JET (4D09-2)	1	
7	13394-10010	.E RING	1	
8	13551-23400	.THROTTLE VALVE (CA:1.5)	1	
9	09492-17006	.JET, PILOT (17 5)	1	
10	13392-01010	.WASHER	1	
11	13370-21DA0	.VALVE ASSY, NEEDLE	1	
12	13254-01010	.PIN	1	
13	09351-30503-600	.HOSE, AIR VENT (3X5X600)	2	L:600
14	13601-04148	.SCREW	4	
15	13261-17400	.CAP ASSY	1	
16	09351-30503-600	.HOSE, OVER FLOW (3X5X600)	1	L:600
17	13267-01010	.SCREW, THROTTLE STOP	1	
18	13266-48700	.SPRING	1	
19	13269-95110	.SCREW, AIR	1	
20	13268-01010	.SPRING	1	
21	13573-36110	.SPRING, THROTTLE VALVE RETURN	1	
22	13581-09210	.PLATE	1	
23	13247-13A00	.SCREW, DRAIN	1	
24	13411-01010	.VALVE, STARTER	1	
25	13418-63110	.CAP, STARTER	1	
26	13661-16600	.NUT	1	
27	13577-22600	.ADJUSTFR, CABLE	1	
28	13417-01010	.SPRING, STARTER	1	

FIG. 6

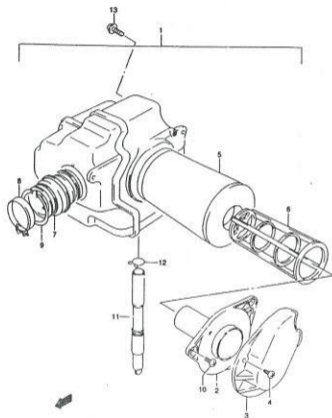


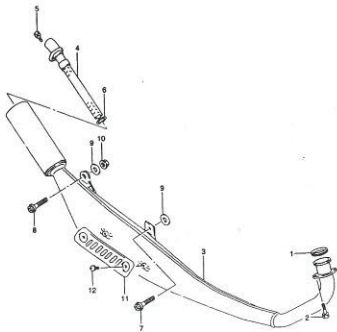
FIG. 6 (B - 8) AIR CLEANER

REF. NO.	PART NO.	DESCRIPTION	QTY	REMARKS
1	13700-21D10L	CLEANER ASSY, AIR	1	
2	13740B21D00N	.CAP	1	
3	13891-21D00	.TUBE, INLET	1	
4	03241-14103	.SCREW, TAPPING	3	
5	13780-21D00L	.FILTER	1	
6	13791-21D00L	.HOLDER	1	
7	13881-21D10L	.TUBE, OUTLET	1	
8	09402-50208	.CLAMP	1	
9	02142-05103	.SCREW	3	
10	13872-00A00-U10	.CAP, DRAIN	1	
11	09401-13409	.CLIP, DRAIN	1	
12	02112-16163	SCREW	3	

FIG. 7

FIG. 7 (B - 9) MUFFLER

REF. NO.	PART NO.	DESCRIPTION	QTY	REMARKS
1	14181-35410L	GASKET, EXHAUST PIPE	1	
2	09137-08007	BOLT	2	
3	14301M21DA0	MUFFLER ASSY	1	
4	14510M21D21	.PIPE, BAFFLE	1	
5	09137-05009	.SCREW	1	
6	09280-22016	.O RING	1	
7	07120-08357	BOLT	1	
8	07120-08357	BOLT	1	
9	08322-C1087	WASHER	2	
10	08316-10083	NUT	1	
11	14780M21D00	COVER, MUFFLER	1	
12	02112-36083	SCREW	2	



2

FIG. 8

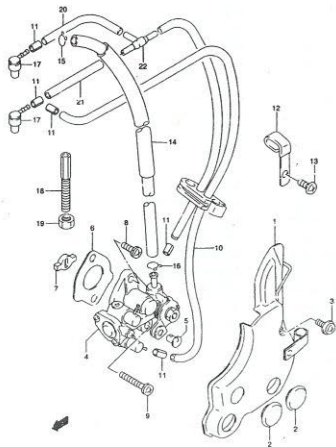
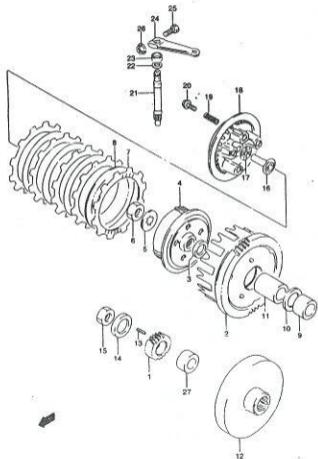


FIG. 8 (B - 10) OIL PUMP

REF. NO.	PART NO.	DESCRIPTION	QTY	REMARKS
1	11385-21D00L	CAP, OIL PUMP INSPECTION	1	
2	09250-12009L	CAP	2	
3	02112-05103	SCREW	2	
4	16100-21D11	PUMP ASSY, OIL	1	
5	16292-03112	TERMINAL, CABLE	1	
6	16731-03101L	GASKET, OIL PUMP	1	
7	16391-05031	PIECE, DRIVE	1	
8	02112-35163	SCREW	1	
9	02112-35303	SCREW	1	
10	16820-21D02	HOSE, OIL NO.2	1	
11	09401-04401	CLIP	5	
12	16816-21D00	CLAMP, OIL HOSE NO.2	1	
13	02112-06123	SCREW	1	
14	09359-45852-600	HOSE, OIL NO.1	1	
15	09401-09101	CLIP, OIL HOSE, UPPER	1	
16	09401-08401	CLIP, OIL HOSE, LOWER	1	
17	16910-21D00	NIPPLE, OIL HOSE NO.2	2	
18	16192-38D00L	ADJUSTER	1	
19	08310-00083	NUT	1	
20	09352-20503-600	HOSE, OIL NO.2 R	1	L:600
21	09352-20503-600	HOSE, OIL NO.2 L	1	L:600
22	09367-03001	JOINT, OIL HOSE NO.2	1	

FIG. 9

FIG. 9 (C - 2) CLUTCH



REF. NO.	PAR. NO.	DESCRIPTION	QTY	REMARKS
1	21111-21D11	GEAR, PRIMARY DRIVE (NT:19)	1	
2	21200-21D41	GEAR, PRIMARY DRIVEN (NT:61)	1	
3	08211-17282	WASHER	1	
4	21411-21D30	HUB, CLUTCH SLEEVE	1	
5	09167-17002	WASHER (17.1X33X0.8)	1	
6	09140-16005	NUT	1	
7	21441-21D11	PLATE, DRIVE	5	
8	21451-22000	PLATE, DRIVEN	4	
9	09180-17109	SPACER (17X30X8)	1	
10	08211-17282	WASHER	1	
11	21251-21D10	SPACER	1	
12	12656-21D70	FLYWHEEL	1	
13	09421-04004	KEY	1	
14	09164-16005	WASHER (16X24X1.4)	1	
15	09140-16005	NUT	1	
16	23165-21D10	RACK, RELEASE	1	
17	09263-10002	BEARING (10.1X22X2.8)	1	
18	21462-21D30	DISK, PRESSURE	1	
19	09440-15008	SPRING	5	
20	09116-05020	BOLT	5	
21	23261-13A01	PINION, RELEASE	1	
22	09160-12086	WASHER (12.5X17X1)	1	
23	09285-10004	SEAL	1	
24	23271-28B00	ARM, RELEASE	1	
25	01500-06253	BOLT	1	
26	08316-10063L	NUT	1	
27	21114-21D01	SPACER	1	

FIG. 10

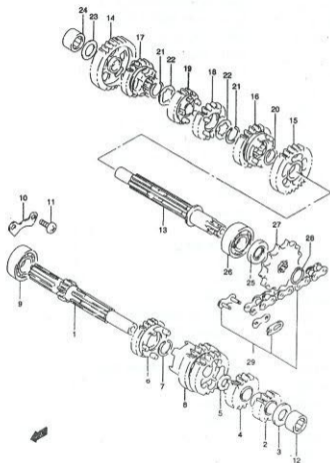


FIG. 10 (C - 3) TRANSMISSION

REF. NO.	PART NO.	DESCRIPTION	QTY	REMARKS
1	24121-21D11	COUNTERSHAFT (NT:11)	1	
2	24221-21D10	GEAR, 2ND DRIVE (NT:14)	1	
3	09160-13006	WASHER (13X24X1.0)	1	
4	24230-38D10	GEAR, 3RD DRIVE (NT:17)	1	
5	09160-13012	WASHER (13X18X1.0)	1	
6	24241-21D10	GEAR, 4TH DRIVE (NT:19)	1	
7	09380-17007	CIRCLIP, 4TH DRIVE	1	
8	24251-21D12	GEAR, 5TH & 6TH DRIVE (NT:20/21)	1	
9	08110-62030L	BEARING, COUNTER SHAFT, RH	1	
10	24741-21D00	RETAINER, BEARING	1	
11	02112-06123	SCREW	2	
12	09263-13002	BEARING, LH (13X19X12)	1	
13	24131-21D01	SHAFT, DRIVE	1	
14	24310-21D01	GEAR, 1ST DRIVEN (NT:32)	1	
15	24321-21D20	GEAR, 2ST DRIVEN (NT:24)	1	
16	24331-21D10	GEAR, 3ST DRIVEN (NT:22)	1	
17	24341-21D10	GEAR, 4ST DRIVEN (NT:20)	1	
18	24351-21D10	GEAR, 5ST DRIVEN (NT:18)	1	
19	24361-21D11	GEAR, 6ST DRIVEN (NT:17)	1	
20	09380-17010	CIRCLIP	1	
21	09380-17010	CIRCLIP	2	
22	09167-17003	WASHER, 5TH DRIVEN	2	
23	09160-13006	WASHER, COUNTER SHAFT, LH	1	
24	09263-13002	BEARING, RH (13X19X12)	1	
25	09283-17014	OIL SEAL	1	
26	09262-17023	BEARING, LH	1	
27	27511-46000	SPROCKET, ENGINE (NT:13)	1	
28	08331-31166	CIRCLIP	1	
29 -1	27600-20910L128	CHAIN, DRIVE (FSCM 428-128)	1	
29 -2	27600-20960L128	CHAIN, DRIVE (KRM 428-128)	1	

FIG. 11

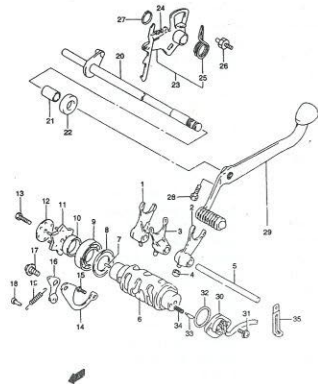


FIG. 11 (C - 4) GEAR SHIFTING

REF. NO.	PART NO.	DESCRIPTION	QTY	REMARKS
1	25210-21D00	FORK, GEAR SHIFTING, NO.1	1	
2	25220-21D00	FORK, GEAR SHIFTING, NO.2	1	
3	25230-21D00	FORK, GEAR SHIFTING, NO.3	1	
4	09180-06086	SPACER (6X9.8X6)	3	
5	25411-21D10	SHAFT, GEAR SHIFTING	1	
6	25310-21D10	CAM, GEAR SHIFTING	1	
7	04221-04089	.PIN	1	
8	25385-21D00	SEAL	1	
9	08113-69050	BEARING, GEAR SHIFT CAM	1	
10	09180-25097	SPACER, GEAR SHIFT CAM	1	
11	25380-21D10	PLATE, GEAR SHIFT CAM	1	
12	25384-21D00L	GUIDE, PIN	1	
13	01500-06253	BOLT	1	
14	25341-21D01	RETAINER	1	
15	02112-06123	SCREW	1	
16	25350-21D00	STOPPER, CAM	1	
17	09111-06041	BOLT	1	
18	09223-04001	HOOK	1	
19	09443-07042	SPRING	1	
20	25510-21D12	SHAFT, GEAR SHIFTING	1	
21	25516-21D10	SPACER (12X18X14.8)	1	
22	09285-12002L	OIL SEAL (12X22X9)	1	
23	25501-21D10	ARM ASSY, GEAR SHIFTING	1	
24	09443-05020	.SPRING	1	
25	09444-23002	.SPRING	1	
26	25671-36A00	STOPPER, ARM	1	
27	08331-31146	CIRCLIP, GEAR SHIFT ARM	1	
28	01500-06203	BOLT	1	
29	25600-21D10L	LEVER ASSY, GEAR SHIFTING	1	

FIG. 11

FIG. 11 (C - 5) GEAR SHIFTING

REF. NO.	PART NO.	DESCRIPTION	QTY	REMARKS
30	37720-21D50	BASE ASSY, GEAR SHIFT	1	
31	02142-05123	SCREW	2	
32	09280-2C005	O RING (D:2.4, ID:26.2)	1	
33	09209-05011	CONTACT, SWITCH	1	
34	09440-04010	SPRING	1	
35	09404-06429	CLAMP (L:60)	2	

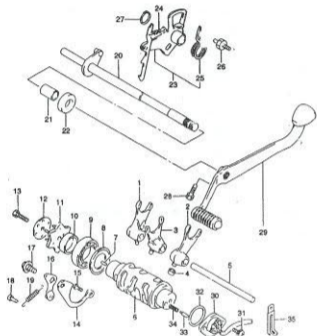


FIG. 12

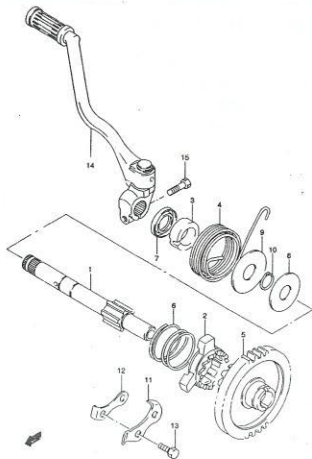


FIG. 12 (C - 6) KICK STARTER

REF. NO.	PART NO.	DESCRIPTION	QTY	REMARKS
1	26211-21D01	SHAFT, KICK STARTER	1	
2	26231-21D01	STARTER, KICK	1	
3	26221-21D00L	GUIDE, SPRING	1	
4	09448-40007	SPRING	1	
5	26241-21D20	GEAR, DRIVE (NT:35)	1	
6	09440-31002	SPRING	1	
7	09285-14001	OIL SEAL (14X24X6)	1	
8	08211-14321	WASHER	1	
9	09160-14042	WASHER (14X38X1)	1	
10	08331-31146	CIRCLIP	1	
11	26232-21D00	GUIDE, KICK STARTER	1	
12	26233-35410	STOPPER, KICK STARTER	1	
13	01500-06123	BOLT	2	
14	26300-21D31L	LEVER ASSY, KICK STARTER	1	
15	01500-06253	BOLT	1	

FIG. 13

FIG. 13 (D - 2) MAGNETO

REF. NO.	PART NO.	DESCRIPTION	QTY	REMARKS
1	32101M21D10	STATOR ASSY	1	
2	32102M21D10	ROTOR ASSY	1	
3	08316-10103	NUT	1	
4	0834i-31039	KEY	1	
5	32372-21D00	GROMMET	1	
6	02142-05123	SCREW	3	
7	09404-06429	CLAMP (L:60)	1	
8	09407-14407	CLAMP (L:145)	1	

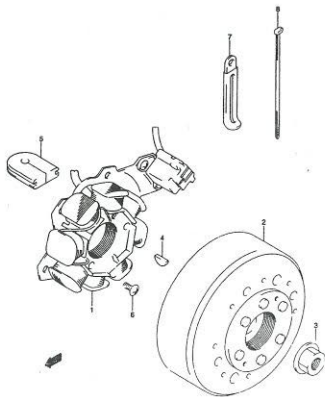
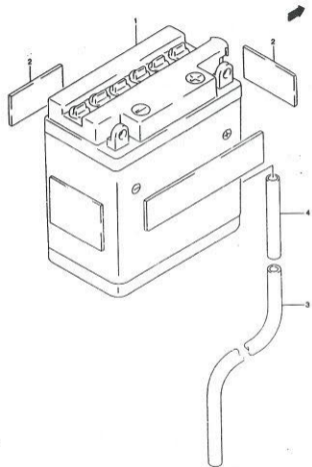


FIG. 14

FIG. 14 (D - 3) BATTERY



REF. NO.	PART NO.	DESCRIPTION	QTY	REMARKS
1	33610-35400L	BATTERY (YB3L-B)	1	
2	33652-41D00L	PROTECTOR (25X40X2)	2	
3	09352-50823-600	HOSE, BATTERY EXHAUST (L.600)	1	
4	33681-21D00L	HOSE, BATTERY BREATHER (L.50)	1	

FIG. 15

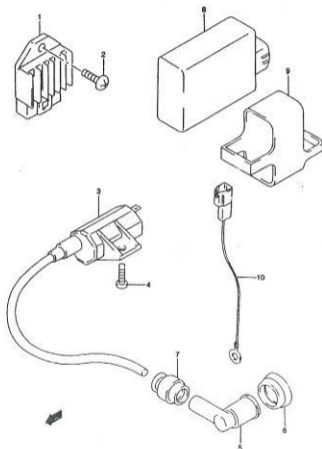


FIG. 15 (D - 4) ELECTRICAL

REF. NO.	PART NO.	DESCRIPTION	QTY	REMARKS
1	32800B36C30N	RECTIFIER ASSY, REGULATOR	1	
2	02112-06163	SCREW	1	
3	33410B18A00N	COIL ASSY, IGNITION	1	
4	02142-06163	SCREW	1	
5	33510-22010AS11	CAP, SPARK PLUG	1	
6	33541-69010L	SEAL, PLUG	1	
7	33542-38B00L	SEAL, HIGH TENSION CORD	1	
8	32900-21D20L	CDI UNIT	1	
9	32980M30D10	CUSHION, CDI UNIT	1	
10	33860-21D00L	WIRE, ENGINE EARIH	1	

FIG. 16

FIG. 16 (D - 5) SPEEDOMETER

REF. NO.	PART NO.	DESCRIPTION	QTY	REMARKS
1	34100 B 21D60 N	SPEEDOMETER ASSY	1	
2	34112 B 21D60 N	.HOOD METER	1	
3	36343 B 21D60 N	.PANEL PILOT LAMP	1	
4	34111 B 21D60 N	.CASE ASSY LOWER	1	
5	09471 - 120/7 L	.BULB (12v/1,7)	4	
6	03541 - 05163	SCREW, SPEEDOMETER	3	
7	34910 - 21D11 L	CABLE ASSY, SPEEDOMETER	1	
8	34938 - 21D01	GUIDE, SPEEDOMETER	1	
9	02112 - 16123	SCREW, GUIDE	1	
10	34173 B 21D60 N	CORD ASSY, SPEEDOMETER	1	
11	34383 - 09400	SCREW, PAN HEAD	1	

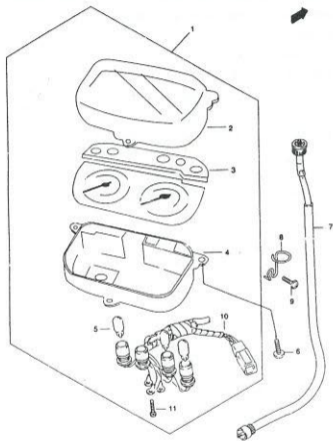


FIG. 17

FIG. 17 (D - 6) HEAD LAMP

REF. NO.	PART NO.	DESCRIPTION	QTY	REMARKS
1	35100 M 21D40	HEAD LAMP ASSY	1	
2	35124 M 21D40	.LENS, HEAD LAMP	1	
3	09471 B 12178N	.BULB HALOGEN (12V, 35/35)	1	
4	35171 M 21D40	.CORD ASSY	1	
5	09136 - 05051	.SCREW	2	

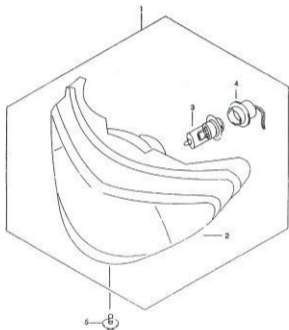


FIG. 18

FIG. 18 (D - 7) FRONT TURN SIGNAL LAMP

REF. NO.	PART NO.	DESCRIPTION	QTY	REMARKS
1	35801M21D40	LAMP ASSY, FRONT RH	1	
2	35612M21D40	.LENS FR TURN, RH	1	
3	09471-12114L	.BULB (12V, 10W)	1	
4	35618M21D40	.CORD ASSY RH	1	
5	55602M21D40	.LAMP ASSY, FRONT LH	1	
6	35632M21D40	.LENS FR TURN, LH	1	
7	09471-12114L	.BULB (12V, 10W)	1	
8	35638M21D40	.CORD ASSY, LH	1	
9	03541-04123	SCRE'V	6	
10	38610-35491L	RELAY ASSY, TURN SIGNAL	1	

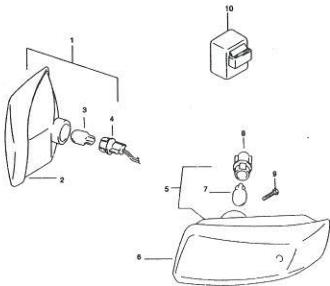
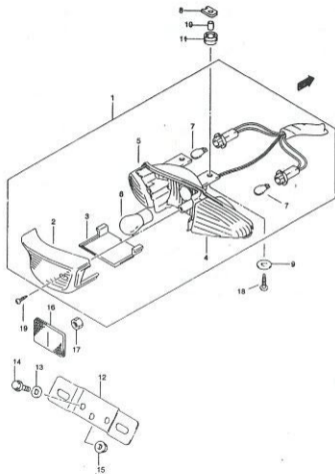


FIG. 19

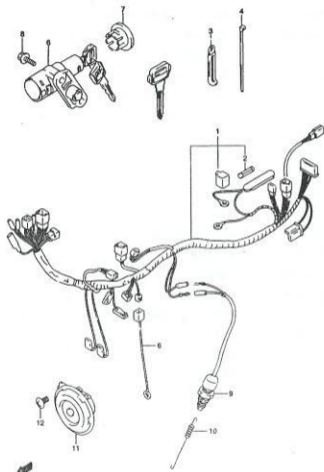
FIG. 19 (D - 8) TAIL LAMP



REF. NO.	PART NO.	DESCRIPTION	QTY	REMARKS
1	35710M21D30	LAMP ASSY, REAR COMB	1	
2	35712M21D30	.LENS TAIL	1	
3	35912M21D30	.LENS LISENCE	1	
4	35652M21D30	.LENS REAR TURN, RH	1	
5	35672M21D30	.LENS REAR TURN, LH	1	
6	09471-12127L	.BULB (12V,18/5W)	1	
7	09471-12114L	.BULB (12V, 10W)	2	
8	09148-05004	NUT	2	
9	09160-06077	WASHER	2	
10	01980-06307	SPACER	2	
11	09320-09009	CUSHION	1	
12	35927M36510	BRACKET LISENCE	1	
13	09160-06109	WASHER	2	
14	02142-06163	SCREW	2	
15	08316-10063L	NUT, LISENCE	2	
16	3 ^c 970M05F00	REFLECTOR ASSY REAR	1	
17	08316-10053	NUT	1	
18	03241-05203	SCREW	2	
19	03511-04166	SCREW	2	

FIG. 20

FIG. 20 (D - 9) WIRING HARNESS



REF. NO.	PART NC.	DESCRIPTION	QTY	REMARKS
1	36610B21D90N	HARNESS, WIRING	1	
2	09481-10001	.FUSE (10A)	2	
3	09404-06429	CLAMP (L:45)	1	
4-1	09407-10404	CLAMP	1	
4-2	09407-11401	CLAMP	1	
4-3	09407-14403L	CLAMP (L:125)	2	
4-4	09407-18402	CLAMP (L:165)	4	
4-5	09407-25401L	CLAMP (L:235)	1	
5	33860-21D00L	WIRE, ENGINE EARTH	1	
6	37100-31C02	LOCK ASSY, STEERING	1	
7	37155-31C00	CAP, STEERING LOCK	1	
8	01550-06163	SCREW	2	
9	37740-04A01L	SWITCH ASSY, STOP LAMP	1	
10	09443-06027	SPRING	1	
11	38500B21DA0N	HORN ASSY	1	
12	02142-06123	SCREW	1	

FIG. 21

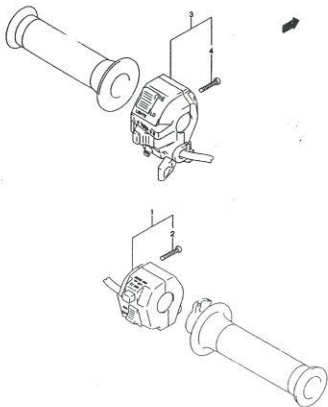


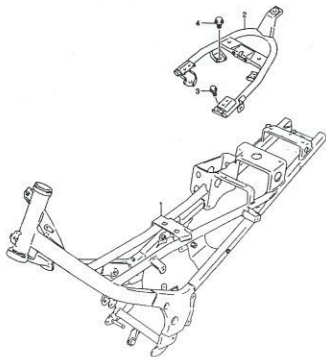
FIG. 21 (D - 10) HANDLE SWITCH

REF. NO.	PART NO.	DESCRIPTION	QTY	REMARKS
1	37200-21D20L	SWITCH ASSY, HANDLE, RH	1	
2	02112-05303	.SCREW	2	
3	37400-21D00L	SWITCH ASSY, HANDLE, LH	1	
4	02112-05305	.SCREW	2	

FIG. 22

FIG. 22 (E - 2) FRAME

REF. NO.	PART NO.	DESCRIPTION	QTY	REMARKS
1	41100M21DA1	FRAME ASSY	1	
2	41200M21DA0	RAIL, SEAT	1	
3	01550-06163	BOLT	2	
4	01550-10163	BOLT	2	



4

FIG. 23

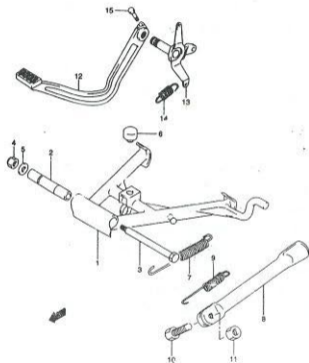


FIG. 23 (E - 3) STAND - REAR BRAKE

REF. NO.	PART NO.	DESCRIPTION	QTY	REMARKS
1	42100-21D10L	STAND, CENTER	1	
2	42211-03001	SPACER, CENTER STAND	1	
3	42129-21D00	BOLT	1	
4	09159-10027	NUT	1	
5	09160-10005	WASHER	1	
6	09321-10001L	CUSHION, CENTER STAND	1	
7	42191-21D00L	SPRING	1	
8	42310-21D10L	STAND, PROP	1	
9	09443-14022	SPRING	1	
10	09100-10287	BOLT	1	
11	09140-10043	NUT	1	
12	43110-21D80L	PEDAL, BRAKE	1	
13	43120-21D20L	ARM, BRAKE PEDAL ROD	1	
14	09443-14025L	SPRING, BRAKE PEDAL	1	
15	01500-06253	BOLT	1	

4

FIG. 24

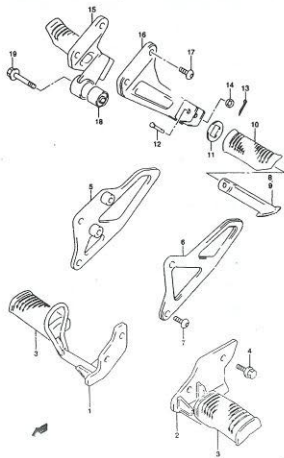


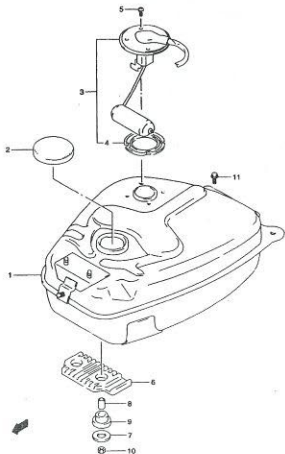
FIG. 24 (E - 4) FOOTREST

REF. NO.	PART NO.	DESCRIPTION	QTY	REMARKS
1	43510-21D30L	BAR, FRONT RH	1	
2	43550-21D30L	BAR, FRONT LH	1	
3	43551-39110L	RUBBER	2	
4	09103-08505	BOLT	2	
5	43580-21D30L	GUARD, FRONT FOOTREST RH	1	
6	43591-21D10L	GUARD, FRONT FOOTREST LH	1	
7	09106-08091	BOLT	4	
8	43610-34A00L	.BAR, PILLION FOOTREST RH	1	
9	43710-34A00L	.BAR, PILLION FOOTREST LH	1	
10	43612-21D01L	.RUBBER	2	
11	43631B34A01N	.WASHER	2	
12	09200-06057	.PIN	2	
13	04111-25158	.COTTER PIN	2	
14	08322-01063	.WASHER	2	
15	43810-21D10L	BRACKET, PILLION RH	1	
16	43820-21D00L	BRACKET, PILLION LH	1	
17	09106-08091	BOLT	4	
18	09319-08028	BUSH, MUFFLER	1	
19	09103-08222	BOLT, MUFFLER	1	

4

FIG. 25

FIG. 25 (E - 5) FUEL TANK



REF. NO.	PART NO.	DESCRIPTION	QTY	REMARKS
1	44110M21DA1	TANK, FUEL	1	
2	44210-35014AS01	CAP, FUEL TANK	1	
3	34810-21D02	GAUGE ASSY, FUEL LEVEL	1	
4	34825-02100	GASKET	1	
5	02112-35123	SCREW	4	
6	44542-21D00L	CUSHION, FUEL TANK LOWER	1	
7	09160-06004	WASHER, FUEL TANK LOWER	2	
8	09180-06293	SPACER, FUEL TANK LOWER	2	
9	09320-10022	CUSHION, FUEL TANK LOWER NO.22		
10	08310-0063	NUT, FUEL TANK LOWER	2	
11	01550-06163	BOLT, REAR	2	

FIG. 26

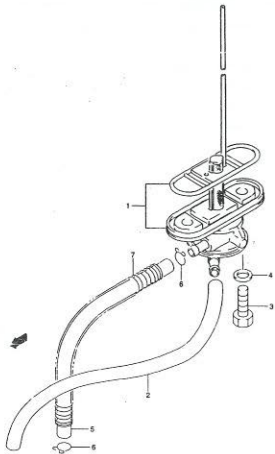


FIG. 26 (E - 6) FUEL COCK

REF. NO.	PART NO.	DESCRIPTION	QTY	REMARKS
1	44300-21D00	COCK ASSY, FUEL	1	
2	44421-21D00	HOSE, FUEL	1	
3	09128-06035	SCREW, FUEL COCK	2	
4	09168-06026	GASKET, FUEL COCK	2	
5	09352-50823L600	HOSE, VACUUM	1	
6	09401-08401	CLIP, FUEL HOSE	2	
7	09440-10022	SPRING, FUEL HOSE	1	

FIG. 27

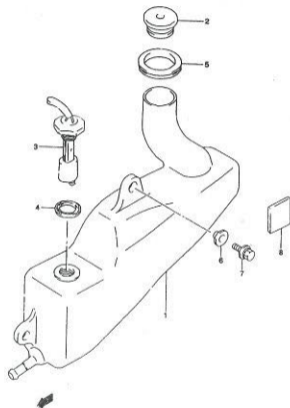


FIG. 27 (E - 7) OIL TANK

REF. NO.	PART NO.	DESCRIPTION	QTY	REMARKS
1	44611M21DA0	TANK, OIL	1	
2	44651-04701	CAP, OIL TANK FILLEH	1	
3	37880-40D01	SWITCH ASSY, OIL LEVEL	1	
4	44643-31000L	GASKET, OIL LEVEL SWITCH	1	
5	44667-12900L	RUBBL, OIL TANK INLET	1	
6	09169-06059	WASHER	2	
7	01500-06163	BOLT, OIL TANK	2	
8	44281-29C00	CUSHION	2	

FIG. 28

FIG. 28 (E - 8) UPPER COVER

REF. NO.	PART NO.	DESCRIPTION	QTY	REMARKS
1	47341M21DA0	COVER, UPPER	1	
2	02142-06123	SCREW	1	
3	41561-21D10L	PLATE, BATTERY HOLDER	1	
4	41579M21D10	CUSHION	1	
5	08322-01063	WASHER	1	
6	09128-06049	SCREW	1	

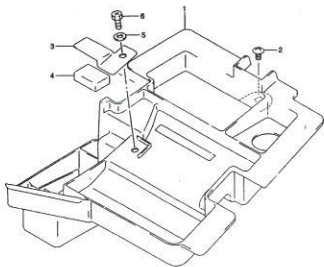


FIG. 29

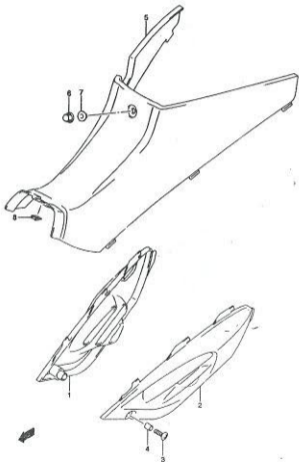
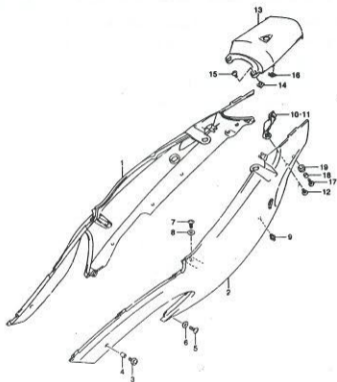


FIG. 29 (E - 9) FRONT COVER

REF. NO.	PART NO.	DESCRIPTION	QTY	REMARKS
1	47131M21DA0	COVER, SIDE LOWER RH	1	
2	47231M21DA0	COVER, SIDE LOWER LH	1	
3	02142-06203	SCREW	2	
4	09180-06264	SPACER	2	
5	47351M21DA0	COVER, FRONT	1	
6	08313-20063	NUT, UPPER	1	
7	09169-06071	WASHER	1	
8	09148-05038	NUT, FRONT	1	

FIG. 30

FIG. 30 (E - 10) SIDE COVER



REF. NO.	PART NO.	DESCRIPTION	QTY	REMARKS
1	47111B21DA0N	COVER, SIDE RH	1	
2	47211B21DA0N	COVER, SIDE LH	1	
3	09136-06105	SCREW, FRONT	2	
4	09180-06264	SPACER	2	
5	09125-06029	SCREW, CENTER LOWER	2	
6	09169-06071	WASHER	2	
7	02142-06163	SCREW, UPPER	2	
8	09169-06071	WASHER	2	
9	C9409-06314-5PK	CLIP (BLACK)	2	
10	47113M21DA0	COVER, SIDE INNER RH	1	
11	47213M21DA0	COVER, SIDE INNER LH	1	
12	03541-15123	SCREW	2	
13	47311B21DA0N	COVER, REAR	1	
14	09148-05038	NUT, FRONT	2	
15	03242-05163	SCREW, FRONT	2	
16	09148-05004	NUT, REAR	2	
17	03242-05203	SCREW, LOWER	2	
18	09180-06263	SPACER	2	
19	09320-09016L	CUSHION	2	

FIG. 31

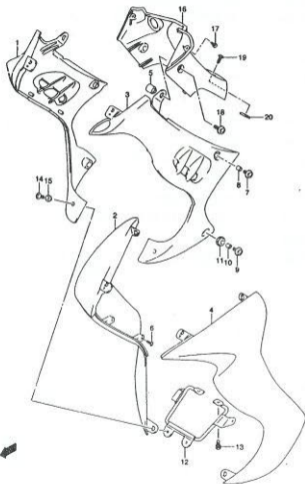


FIG. 31 (E - 11) LEG SHIELD

REF. NO.	PART NO.	DESCRIPTION	QTY	REMARKS
1	4811B21DA0N	SHIELD, LEG OUTER RH	1	
2	4811B21DA0N	SHIELD, LEG INNER RH	1	
3	48121B21DA0N	SHIELD, LEG OUTER LH	1	
4	48122B21DA0N	SHIELD, LEG INNER LH	1	
5	48198M21D00	SPACER, UPPER	2	
6	03541-04163	SCREW, INNER	4	
7	09136-06022	SCREW, CENTER	2	
8	09180-05288	SPACER	2	
9	09136-06022	SCREW, REAR LOWER	2	
10	09180-06263	SPACER	2	
11	09320-09026	CUSHION	2	
12	48180M21DA0	BRACKET, LEG SHIELD	1	
13	01570-06123	BOLT, BRACKET	2	
14	09125-06029	SCREW, FRONT LOWER	2	
15	09169-06042	WASHER	2	
16	48131M21DA0	SHIELD, LEG CENTER	1	
17	03541-04163	SCREW, UPPER	2	
18	09136-06113	SCREW, CENTER	2	
19	03541 05163	SCREW, LOWER	1	
20	09148-05004	NUT	1	

115

4

FIG. 32

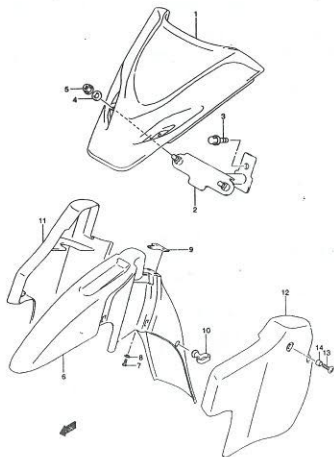
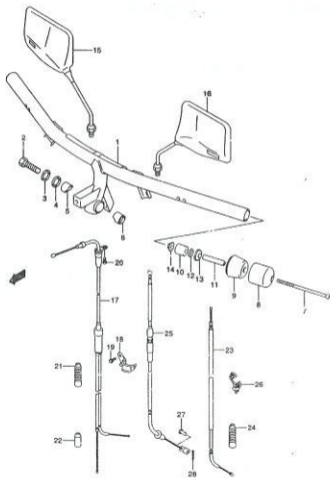


FIG. 32 (F - 2) FRONT FENDER

REF. NO.	PART NO.	DESCRIPTION	QTY	REMARKS
1	51871B21DA0N	COVER, FRAME HEAD	1	
2	51860M21DB0	BRACKET, HEAD COVER	1	
3	01550-06123	BOLT	1	
4	09160-06052	WASHER	2	
5	08313-20067	NUT	2	
6	53111B21DA0N	FENDER, FRONT	1	
7	01500-06183	BOLT	3	
8	09169-06060	WASHER	3	
9	53124-35400	REINFORCEMENT, FRONT FENDER	1	
10	58621-21203L	GUIDE, CABLE	1	
11	51881B21DA0N	COVER, FRONT FORK SIDE RH	1	
12	51882B21DA0N	COVER, FRONT FORK SIDE LH	1	
13	02142-06167	SCREW	2	
14	09180-06092	SPACER	2	

FIG. 33

FIG. 33 (F - 3) HANDLE BAR

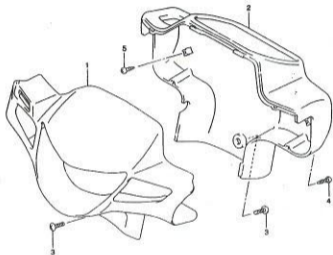


REF. NO.	PART NO.	DESCRIPTION	QTY	REMARKS
1	56110M21DB0	HANDLEBAR	1	
2	09100-12061	BOLT	1	
3	08321-01123	WASHER	1	
4	08322-01123	WASHER	1	
5	51358-35420	STOPPER, RH	1	
6	51359-35410	STOPPER, LH	1	
7	09127-06021	SCREW	2	
8	56274-21D10	CAP, BALANCER	2	
9	56278-23F00L	BALANCER, HANDLEBAR	2	
10	56272-44500L	EXPANDER, INNER	2	
11	56276-17D00	SPACER, EXPANDER	2	
12	09160-06126	WASHER	2	
13	56272-23F00L	EXPANDER, OUTER	2	
14	09159-06024	NUT	2	
15	56500B21D01N	MIRROR ASSY, REAR VIEW RH	1	
16	56600B21D01N	MIRROR ASSY, REAR VIEW LH	1	
17	58300M21D40	CABLE ASSY, THROTTLE	1	
18	58623M21D00	CLAMP, THROTTLE CABLE	1	
19	01550-06123	BOLT, CLAMP	1	
20	02112-05123	SCREW	1	
21	58333-35400	SEAL, THROTTLE DUST	1	
22	09287-07002	SEAL, DUST	1	
23	58410M21D40	CABLE, STARTER	1	
24	58333-35400	SEAL, STARTER DUST	1	
25	58200M21D30	CABLE ASSY, CLUTCH	1	
26	09403-13311	CLAMP	1	
27	09200-06004	PIN	1	
28	04111-20158	PIN, COTTER	1	

FIG. 34

FIG. 34 (F - 4) HANDLE COVER

REF. NO.	PART NO.	DESCRIPTION	QTY	REMARKS
1	56311B21DB0N	COVER, HANDLE FRONT	1	
2	56321M21D80	COVER, HANDLE REAR	1	
3	02142-05123	SCREW, FR/RR	2	
4	03511-04163	SCREW, SIDE	2	
5	03511-05163	SCREW, UPPER	2	



4

FIG. 35

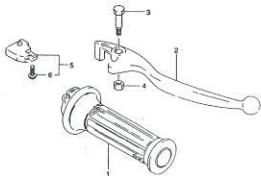
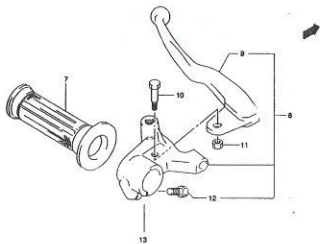


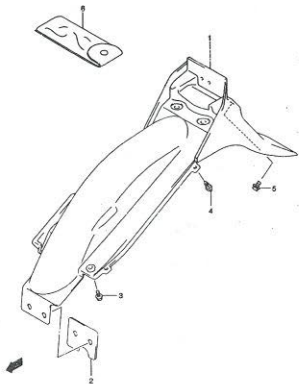
FIG. 35 (F - 5) HANDLE LEVER

REF. NO.	PART NO.	DESCRIPTION	QTY	REMARKS
1	57110-35500L	GRIP, THROTTLE	1	
2	57421-21D10L100	LEVER, BRAKE	1	
3	09111-06076	BOLT, LEVER	1	
4	08319-21063L	NUT	1	
5	57460-17C00L	SWITCH ASSY, STOP	1	
6	57465-17C00	.SCREW	1	
7	57211-34310L	GRIP, LH	1	
8	57500B21D11N	LEVER ASSY, CLUTCH	1	
9	57621B21D10N	.LEVER	1	
10	57431-45C00L	.BOLT	1	
11	08319-21065	.NUT	1	
12	01547-06205	.BOLT	1	
13	57311B21D40N	HOLDER LEVER CLUTCH	1	

FIG. 36

FIG. 36 (F - 6) REAR FENDER

REF. NO.	PART NO.	DESCRIPTION	QTY	REMARKS
1	63111M21DA0	BODY, REAR FENDER REAR	1	
2	63411-21D00	MUD GUARD, REAR FENDER	1	
3	09111-06081	BOLT, FRONT LH	1	
4	09409-06314-5PK	CLIP (BLACK)	4	
5	09113-06001	NUT, REAR	3	
6	09800-21026 L	TOOL ASSY	1	



4

FIG. 37

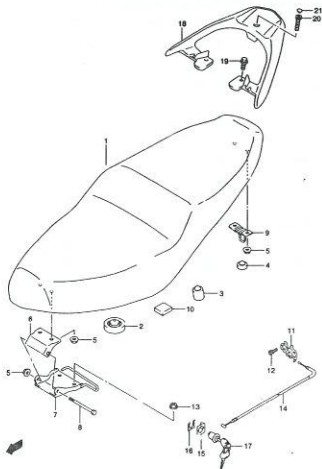
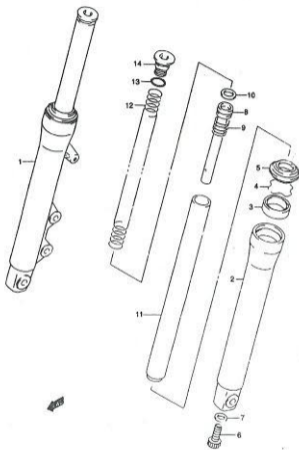


FIG. 37 (F - 7) SEAT

REF. NO.	PART NO.	DESCRIPTION	QTY	REMARKS
1	45100M21D50	SEAT ASSY	1	
2	09321-14005	.CUSHION	2	
3	45149-31300L	.CUSHION, REAR	2	
4	09321-10012	.CUSHION	3	
5	C 315-20063	.NUT	5	
6	45210M21D10	.BRACKET, SEAT SUPPORT, FRONT	1	
7	45260M21D50	.BRACKET, SEAT SUPPORT, LOWER	1	
8	09111-06001	.BCLT	1	
9	45210-21D50	.STRIKER, SEAT LOCK	1	
10	45181M21D10	.CUSHION, TOOL	1	
11	45700-14FA0	BRACKET, STRIKER SUPPORT	1	
12	02112-06103	SCREW	2	
13	08316-20063	NUT	2	
14	45280M21D50	CABLE, SEAT LOCK	1	
15	45288-14F00	GUIDE, SEAT LOCK CABLE	1	
16	45289-11F00	PLATE	1	
17	95700-14810	LOCK SET, SEAT	1	
18	46211M21D50	HANDLE, PILLION RIDER	1	
19	01551-08257	BOLT, FR	2	
20	07130-08453	BOLT, RR	1	
21	09250-06008	CAP	1	
22	45160M21D50	COVER COMP, SEAT TRIM	1	DRAWING NOT SHOWN

FIG. 38

FIG. 38 (G - 2) FRONT DAMPER



REF. NO.	PART NO.	DESCRIPTION	QTY	REMARKS
	51103-21D11AS01	DAMPER ASSY, FRONT FORK RH	1	
	51104-21D11AS01	DAMPER ASSY, FRONT FORK LH	1	
1	51130-21D11AS01	.TUBE, OUTER RH	1	
2	51140-21D11AS01	.TUBE, OUTER LH	1	
3	51153-39140L	.OIL SEAL	2	
4	51156-39140	.RING, SNAP	2	
5	51173-21D00	.DUST SEAL	2	
6	51147-16510L	.BOLT, CYLINDER	2	
7	51148-41310	.GASKET	2	
8	51146-21D00L	.CYLINDER	2	
9	51177-35400L	.SPRING	2	
10	51196-39140L	.RING	2	
11	51110-21D10L	.TUBE, INNER	2	
12	51171-21D10L	.SPRING	2	
13	09280-17002	.O RING	2	
14	51351-21D10	.CAP	2	

4

FIG. 39

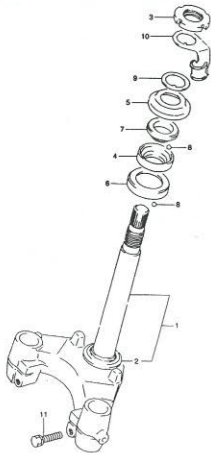


FIG. 39 (G - 3) STEERING STEM

REF. NO.	PART NO.	DESCRIPTION	QTY	REMARKS
1	51410B21D50N	STEM, STEERING	1	
2	51622-35400	.RACE	1	
3	51631-05000	NUT, STEERING STEM	1	
4	51611-20002	RACE, INNER UPPER	1	
5	51643-06001L	DUST SEAL, UPPER	1	
6	51612B35400N	RACE, INNER LOWER	1	
7	51621B25000N	RACE, OUTER UPPER	1	
8	06111-06003	BALL, STEERING STEEL	49	
9	09166-24001	WASHER	1	
10	59251-21D10L	CLAMP, HOSE	1	
11	01570-08307	BOLT, STEM	2	

FIG. 40

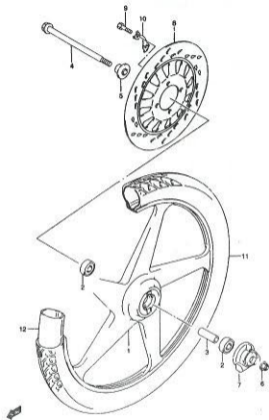
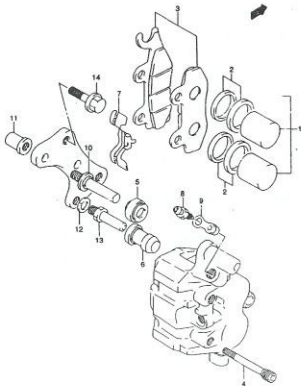


FIG. 40 (G - 4) FRONT WHEEL

REF. NO.	PART NO.	DESCRIPTION	QTY	REMARKS
1 -1	54111M47E50	WHEEL, FRONT (17X1.40)	1	WHITE
1 -2	54111M47E40-019	WHEEL, FRONT (17X1.40)	1	BLACK
2	08133-63007L	BEARING	2	
3	09180-10148L	SPACER, FRONT HUB (10.2X16X51)	1	
4	54711-13801L	AXLE, FRONT	1	
5	54750-46100L	SPACER, FRONT AXLE RH	1	
6	08319-31107	NUT	1	
7	54600-21D00	BOX ASSY, SPEEDOMETER GEAR	1	
8	59211B21D70N	DISC, FRONT BRAKE	1	
9	09100-08094	BOLT (8X30)	4	
10	09169-08019	WASHER	2	
11	55110B38D20N	TIRE, FRONT, 70/90-17 38P IRC	1	
12	55200B03600N	TUBE ASSY, WHEEL INNER	1	

FIG. 41

FIG. 41 (G - 5) FRONT CALIPER



REF. NO.	PART NO.	DESCRIPTION	QTY	REMARKS
	59100-21D21AS01	CALIPER ASSY, FRONT	1	
1	69100-31810L	.PISTON SET	1	
2	59300-13820L	..SEAL SET, PISTON	1	
3 -1	59100-21850L	.PAD SET (NABS)	1	
3 -2	59100-21870L	.PAD SET (ABS)	1	
4	59345-14600L	.PIN	2	
5	59303-14500L	.BOOT	1	
6	59386-13A00L	.BOOT	1	
7	69115-31D10L	.SPRING	1	
8	59121-01A00L	.BLEEDER	1	
9	59122-01A00L	.CAP, BLEEDER	1	
10	59387-00B20L	.PIN	1	
11	59388-00B20L	.NUT	1	
12	59314-13A00L	.WASHER	1	
13	59382-13A00L	.BOLT	1	
14	09103-08107	BOLT	2	

4

FIG. 42

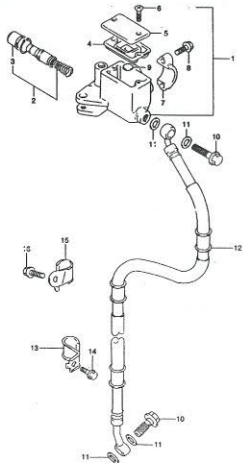


FIG. 42 (G - 6) FRONT MASTER CYLINDER

REF. NO.	PART NO.	DESCRIPTION	QTY	REMARKS
1	59600-21D10L	CYLINDER ASSY, FRONT MASTER	1	
2	59600-21810L	.PISTON & CUP SET	1	
3	59666-44300	.BOOT	1	
4	59667-44B00L	.DIAPHRAGM	1	
5	69669-24A01	.CAP	1	
6	69689-49300L	.SCREW	2	
7	59671-36500	.HOLDER	1	
8	59675-19C00L	.BOLT	2	
9	59748-14500	.SEPARATOR	1	
10	09360-10042	BOLT (10X1.25X22)	2	
11	09161-10009	WASHER (10X15X1.5)	4	
12	59480B21D50N	HOSE, FRONT BRAKE	1	
13	59246-21D00L	CLAMP, HOSE LOWER	1	
14	01550-06123	BOLT	1	
15	59241-21D10L	CLAMP, HOSE	1	
16	02142-06123	SCREW	1	

FIG. 43

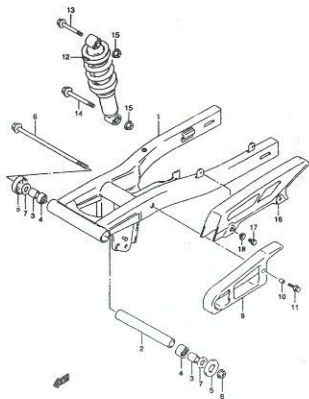
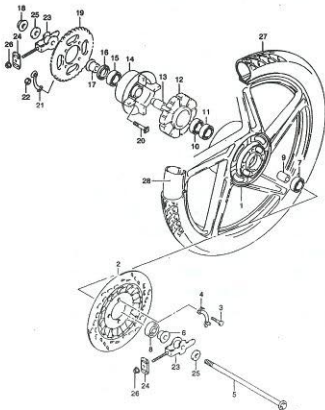


FIG. 43 (G - 7) REAR SWINGARM

REF. NO.	PART NO.	DESCRIPTION	QTY	REMARKS
1	61100-21D40L	SWINGING ARM, REAR	1	
2	61282-21D01	SPACER, CENTER	1	
3	61251-21D01	SPACER	2	
4	09263-17027	BEARING (17X24X20)	2	
5	61262-21D00	DUST SEAL	2	
6	61211-21D00L	SHAFT, REAR SWINGING ARM	1	
7	08211-12281	WASHER	2	
8	08319-31128	NUT	1	
9	61273-21D00L	BUFFER, CHAIN TOUCH DEFENSE	1	
10	09180-06255	SPACER (6.5X9X3.80)	1	
11	09116-06152	BOLT (6X20)	1	
12	62100-21D20L	ABSORBER ASSY, REAR SHOCK	1	
13	09103-10062	BOLT, UPPER (10X125)	1	
14	09103-10083	BOLT, LOWER (10X85)	1	
15	G8319-31103	NUT	2	
16	61311-21D00L	CASE, CHAIN	1	
17	09100-06157	BOLT (6X ^Ø)	2	
18	09169-06041	WASHER	2	

FIG. 44

FIG. 44 (G - 8) REAR WHEEL



REF. NO.	PART NO.	DESCRIPTION	QTY	REMARKS
1 -1	64111M47E50	WHEEL, REAR (17X1.40) WHITE	1	
1 -2	64111M47E40-019	WHEEL, REAR (17X1.40) BLACK	1	
2	59211B21D70N	DISC, REAR BRAKE	1	
3	09100-08094	BOLT (8X30)	4	
4	09169-08019	WASHER	2	
5	64711-21D10L	AXLE, REAR	1	
6	64741-21D00L	SPACER, REAR AXLE, RH	1	
7	08113-63010L	BEARING, RH	1	
8	09285-25003L	SEAL, OIL (25X40X6)	1	
9	09180-12145	SPACER, BEARING (12.5X19X58)	1	
10	08143-62017L	BEARING, LH	1	
11	08113-62017L	BEARING, INNER LH	1	
12	64651-30D00L	ABSORBER, REAR HUB SHOCK	1	
13	64733-43000	RETAINER, REAR SPROCKET DRUM	1	
14	64611-26500L	DRUM, SPROCKET MOUNTING	1	
15	08113-62037L	BEARING	1	
16	09285-25003L	OIL SEAL (25X40X6)	1	
17	64741-21D00L	SPACER, REAR SPROCKET DRUM	1	
18	08319-31128	NUT	1	
19 -1	64511-264A0L	SPROCKET, REAR (NT:43) SS	1	
19 -2	64511B26460NS01	SPROCKET, REAR (NT:43) KRM	1	
20	09105-08011L	BOLT (8x36)	4	
21	09169-08011	LOCK WASHER	2	
22	08310-00083	NUT	4	
23	61410B21D00N	ADJUSTER, CHAIN	2	
24	61421B21D00N	PLATE, CHAIN ADJUSTER GUIDE	2	
25	64712-21D00L	WASHER	2	
26	08319-31087	NUT	2	
27	65110B38D20N	TIRE, REAR, 80/90-17M/C 44P	1	
28	55200B03600N	TUBE ASSY, WHEEL INNER	1	

FIG. 45

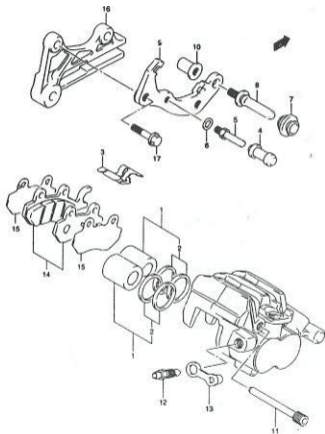


FIG. 45 (G - 9) REAR CALIPER

REF. NO.	PART NO.	DESCRIPTION	QTY	REMARKS
	69100-05F10L	CALIPER ASSY, REAR	1	
1	69100-31810L	.PISTON SET	1	
2	59300-13820L	..SEAL SET, PISTON	1	
3	69115-31D10L	.SPRING	1	
4	59386-13A00L	.BOOT	1	
5	59382-13A00L	.PIN	1	
6	59314-13A00L	.WASHER, SPRING	1	
7	59303-14500L	.BOOT	1	
8	59387-00B20L	.PIN	1	
9	69151-31D00L	.BRACKET	1	
10	59388-00B20L	.NUT	1	
11	69345-43D00	.PIN	2	
12	59121-01A00L	.BLEEDER	1	
13	59122-01A00L	.CAP	1	
14 -1	59100-21850L	PAD & SHIM SET (NABS)	1	
14 -2	59100-21870L	PAD & SHIM SET (ABS)	1	
15	69132-31D00	.SHIM, PAD	2	
16	69721-28F00L	BRACKET, REAR CALIPER	1	
17	01550-10203	BOLT	2	

FIG. 46

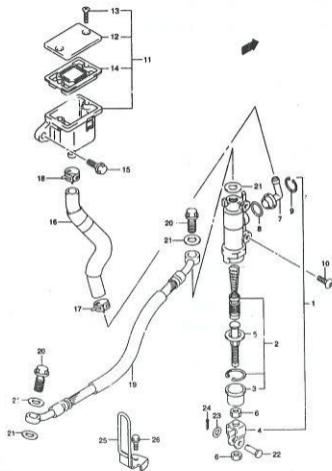


FIG. 46 (G - 10) REAR MASTER CYLINDER

REF. NO.	PART NO.	DESCRIPTION	QTY	REMARKS
1	69600-21D00L	CYLINDER ASSY, REAR MASTER	1	
2	69600-21810L	.PISTON/CUP SET	1	
3	69691-00A00L	.BOOT	1	
4	69692-27A30L	.YOKE	1	
5	69670-00B21L	.ROD, PUSH	1	
6	69693-05A00L	.NUT	2	
7	69672-00B20L	.CONNECTOR	1	
8	69686-34200L	.O RING	1	
9	69674-00B20L	.CIRCLIP	1	
10	09139-06127	SCREW	2	
11	69740-38B21L	TANK ASSY, RESERVOIR	1	
12	59669-05D00L	.CAP	1	
13	69689-04A00L	SCREW	2	
14	59667-04700L	.DIAPHRGM	1	
15	01550-06123	BOLT	1	
16	69730-21D40	HOSE, RESERVOIR TANK	1	
17	09401-12404	CLAMP	1	
18	09401-13417	CLAMP	1	
19	69480-21D10	HOSE, REAR BRAKE	1	
20	09360-10042	BOLT (10X1.25X22)	2	
21	09161-10009	WASHER	4	
22	09200-06037	PIN	1	
23	08322-01063	WASHER	1	
24	04111-20158	PIN, COTTER	1	
25	69260-21D00	GUIDE, REAR BRAKE HOSE	1	
26	01550-06163	BOLT	1	

FIG. 47

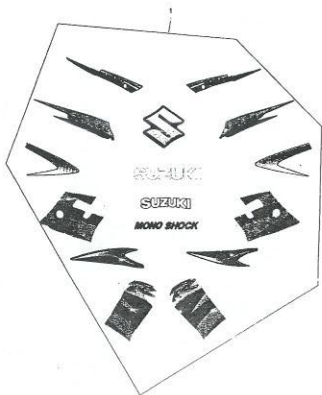


FIG. 47 (J - 1) STRIPPING SET

REF. NO.	PART NO.	DESCRIPTION	QTY	REMARKS
1-1	68000B21DA1N101	RED - BLACK	1	
1-2	68000B21DA1N201	BLUE - BLACK	1	
1-3	68000B21DA1N301	YELLOW - BLACK	1	
1-4	68000B21DA1N114	BLACK - RED - WHITE	1	
1-5	68000B21DA1N214	BLACK - BLUE - WHITE	1	
1-6	68000B21DA1N314	BLACK - YELLOW - WHITE	1	