



SUZUKI

RGV120

PARTS CATALOGUE

2001

FIG. 1

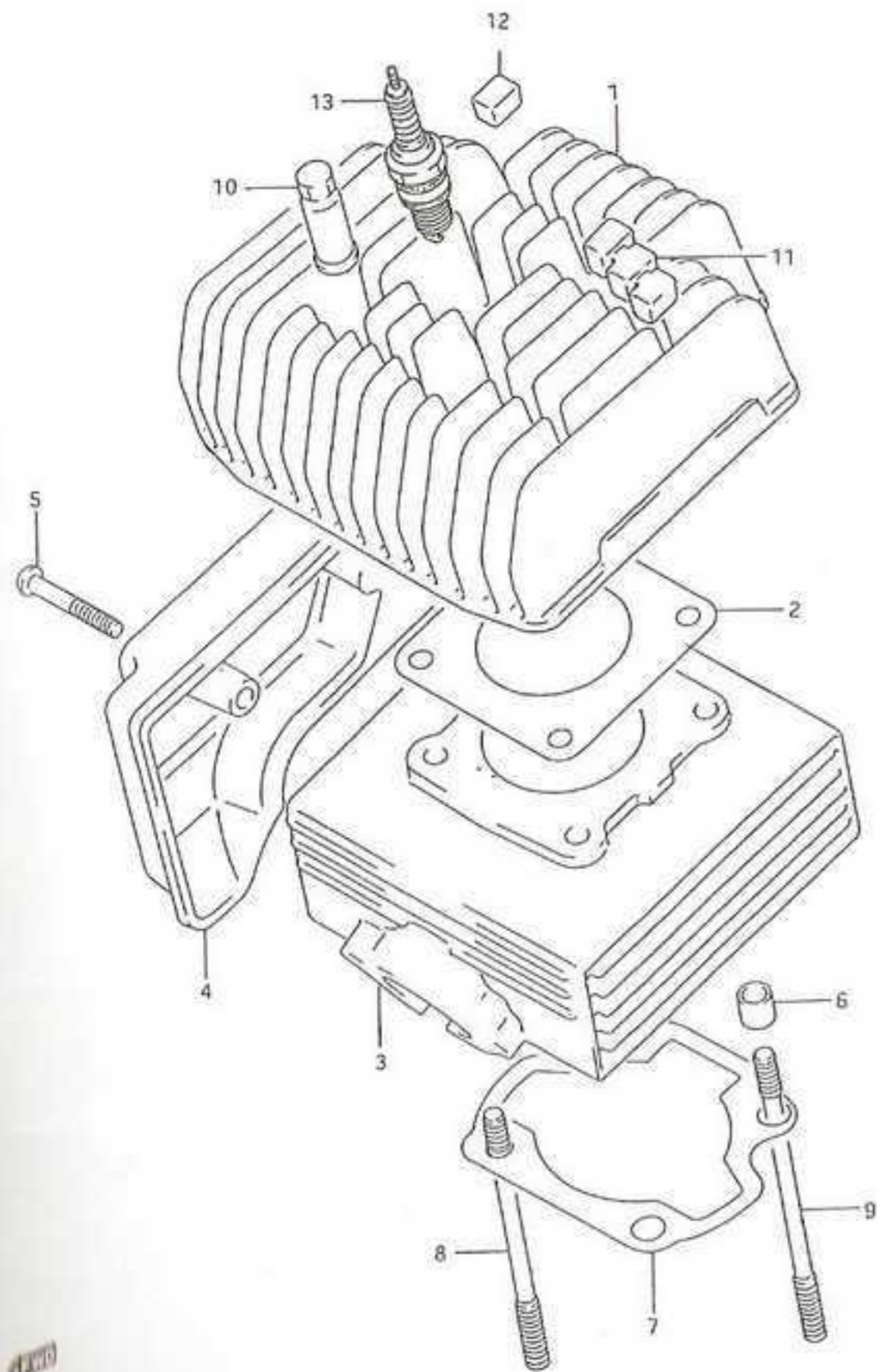


FIG. 1 (B-2) CYLINDER

REF. NO.	PART NO.	DESCRIPTION	Q'TY	REMARKS
1	11111M21D71	CYLINDER HEAD	1	
2	11141M21D70	GASKET, cylinder head	1	
3	11210M21D71-0F0	CYLINDER	1	
4	11271M-38D00	COVER, cylinder air	1	
5	02112-06353	SCREW	2	
6	04211-11189	PIN	2	
7	11241M38D01	GASKET, CYLINDER	1	
8	09108-08113	STUD BOLT (8x113)	2	
9	09108-08114	STUD BOLT (8X123)	2	
10	09159-08041	NUT	4	
11	11151-21D00	PAD, RUBBER (N4)	3	
12	11252-25000	PAD, RUBBER (N1)	17	
13-1	09482M00175	SPARK PLUG (NGK, BP8ES)	1	
13-2	09482-00176	SPARK PLUG (ND, W24EP)	1	

2

FIG. 2

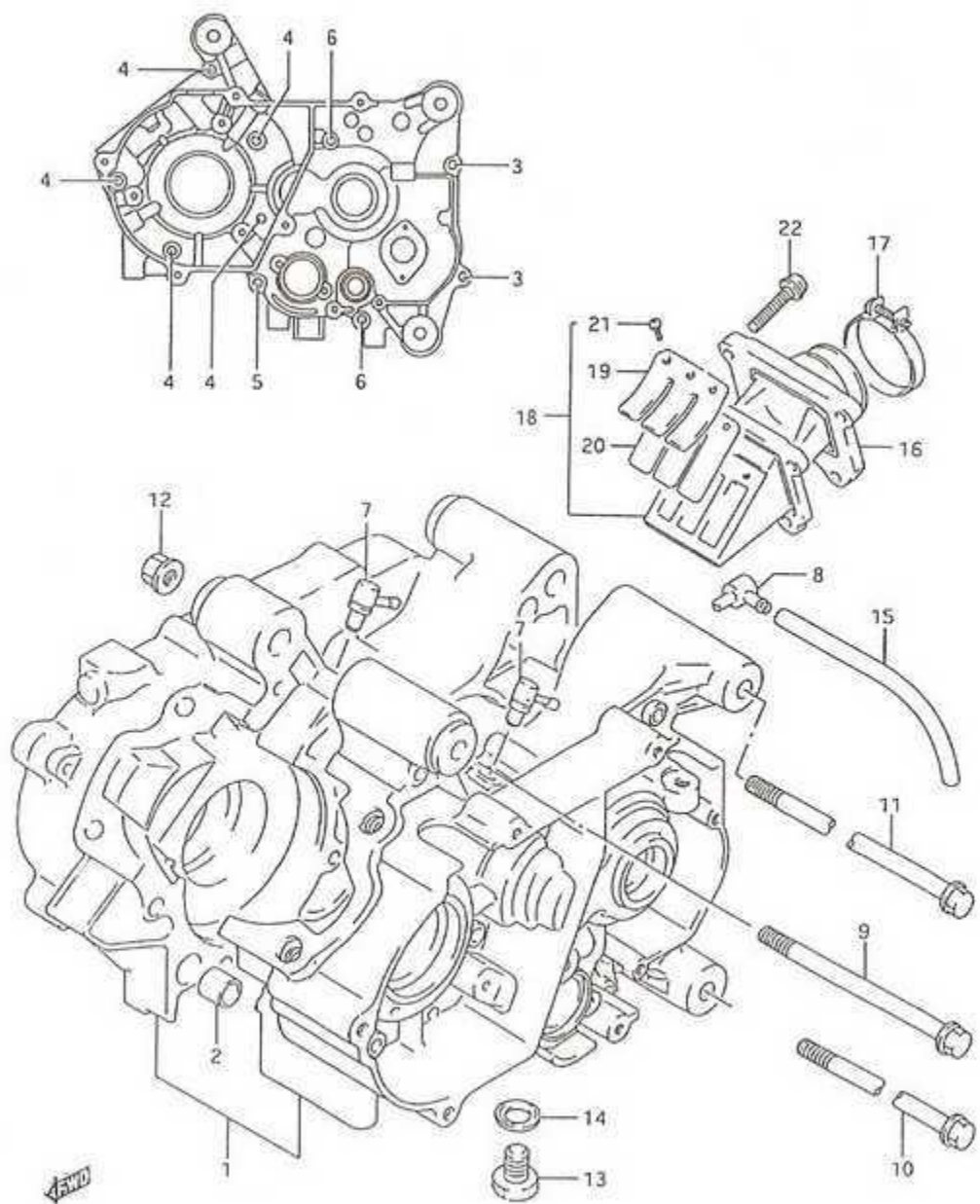


FIG. 2 (B-3) CRANKCASE

REF. NO.	PART NO.	DESCRIPTION	QTY
1	11300M21D41	CRANKCASE ASY	1
2	04211-13189	.PIN	2
3	02112-06403	.SCREW	2
4	02112-06503	.SCREW	5
5	02112-06603	.SCREW	1
6	02112-06653	.SCREW	2
7	16910-21D00	CHECK VALVE	2
8	16190-09401	UNION, breather hose	1
9	09103-08109	BOLT, engine mount (8x120)	1
10	11611-21D01	BOLT, engine mount (8x190)	1
11	09103-08278	BOLT, engine mount (8x225)	1
12	08319-31087	NUT	3
13	09247-14025	PLUG, drain	1
14	09168-14002	GASKET	1
15	09352-42703-600	HOSE, breather	1 600-135
16	13110-21D20	PIPE, intake	1
17	09402-36306	CLAMP, intake pipe	1
18	13150-21D00	VALVE ASSY. reed	1
19	13152-35400	.STOPPER	2
20	13153-31C01	.VALVE, reed	2
21	13154-35400	.SCREW	6
22	02112-36253	SCREW	4

2

FIG. 3

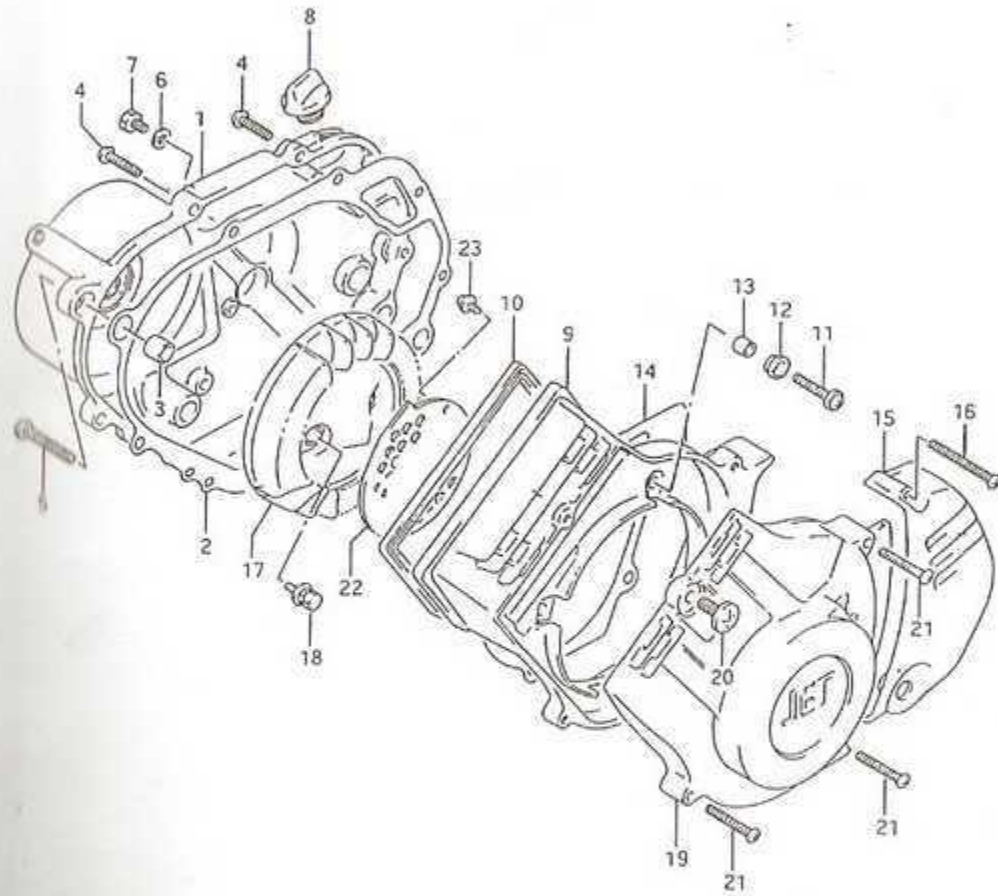


FIG. 3 (B-4) CRANKCASE COVER

REF. NO.	PART NO.	DESCRIPTION	Q'TY	REMARKS
1	11341M21D51	COVER, clutch	1	
2	11482M21D00	GASKET, clutch cover	1	
3	04211-13189	PIN	2	
4	02112-06253	SCREW	8	
5	02112-06453	SCREW	1	
6	09168-06004	GASKET	1	
7	09128-06044	PLUG, oil level	1	
8	09200-20810	PLUG, oil filler	1	
9	11351M21D01	COVER, magneto	1	
10	11389M21D00	CUSHION, magneto cover	1	
11	02112-16253	SCREW (L:25)	4	
12	09161-09006	WASHER	4	
13	09180-06266	SPACER	4	
14	11483M21D00	CUSHION, magneto cover No. 2	1	
15	11361M21D01	COVER, engine spocket	1	
16	02112-06403	SCREW	2	
17	17110M31C00	FAN, cooling	1	
18	09118-06106	BOLT	2	
19	17131M21D01	COWLING, fan	1	
20	09139-06071	SCREW	1	
21	02112-06303	SCREW	3	
22	17133M35412	PLATE, fan cowl	1	
23	02142-05083	SCREW	3	

2

FIG. 4

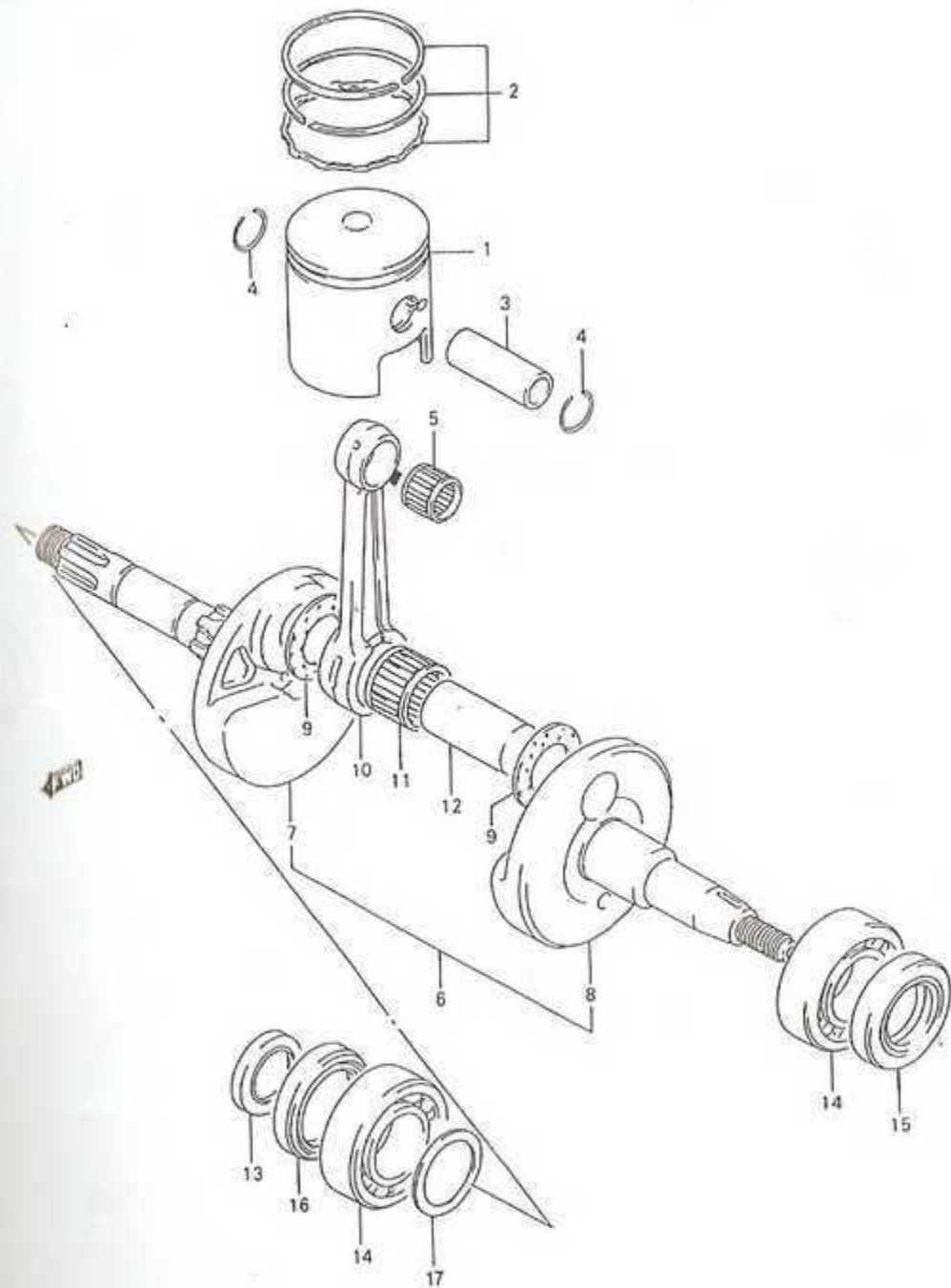


FIG. 4 (B-6) CRANKSHAFT

REF. NO.	PART NO.	DESCRIPTION	Q'TY	REMARKS
17-1	09181-25051	SHIM (T:0.60)	1	
17-2	09181-25052	SHIM (T:0.65)	1	
17-3	09181-25053	SHIM (T:0.70)	1	
17-4	09181-25054	SHIM (T:0.75)	1	
17-5	09181-25055	SHIM (T:0.80)	1	
17-6	09181-25056	SHIM (T:0.85)	1	
17-7	09181-25057	SHIM (T:0.90)	1	
17-8	09181-25058	SHIM (T:0.95)	1	
17-9	09181-25059	SHIM (T:1.00)	1	
17-10	09181-25060	SHIM (T:1.05)	1	
17-11	09181-25061	SHIM (T:1.10)	1	
17-12	09181-25062	SHIM (T:1.15)	1	
17-13	09181-25063	SHIM (T:1.20)	1	
17-14	09181-25179	SHIM (T:1.25)	1	
17-15	09181-25181	SHIM (T:1.30)	1	
18	12105-21811	ROD KIT, connecting	1	NOT SHOWN INCLUDED REF. NO. 5, 9, 10, 11 AND 12

2

FIG. 5

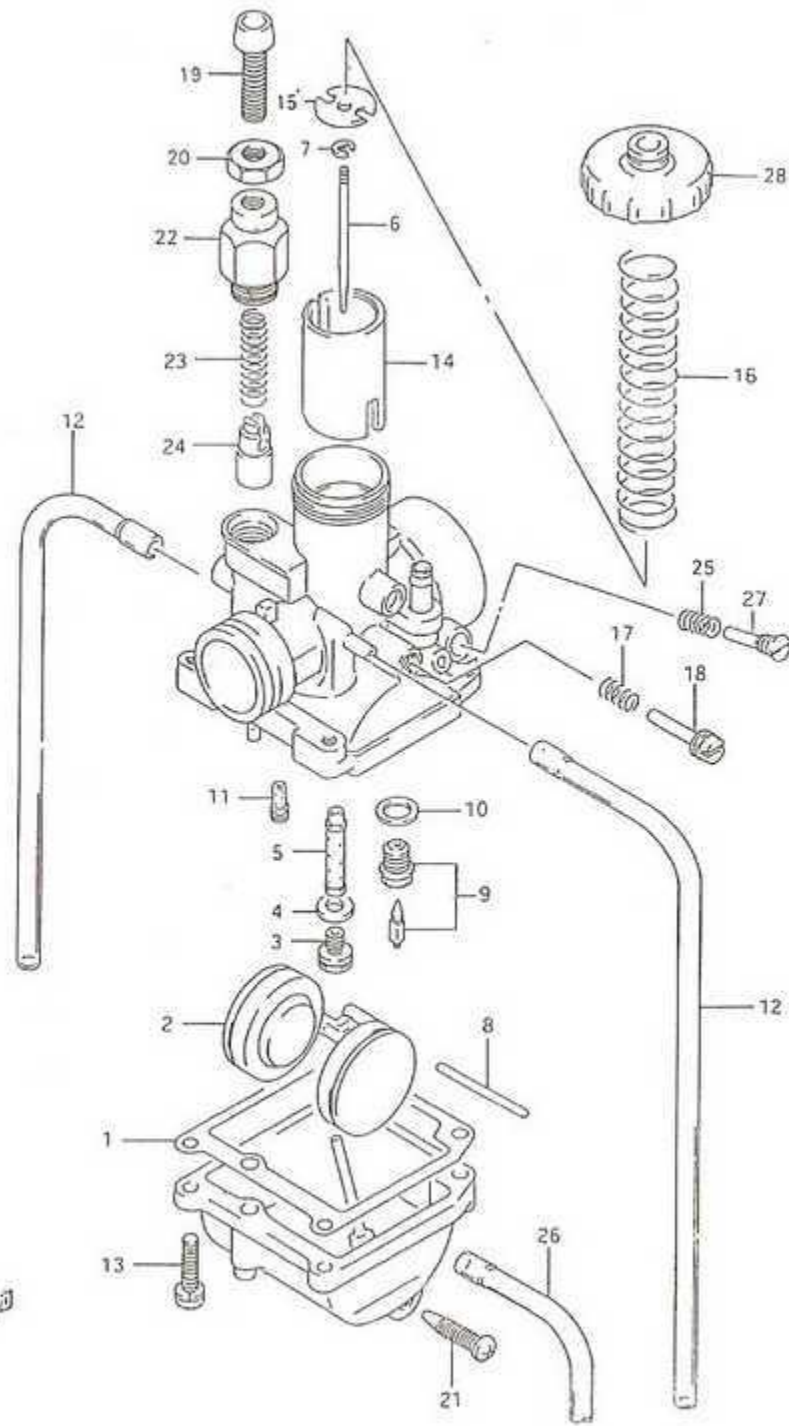


FIG. 5 (B-7) CARBURETOR

REF. NO.	PART NO.	DESCRIPTION	Q'TY
	13200-21DA0	CARBURETOR ASSY	1
1	13251-23010	.GASKET, float chamber	1
2	13250-04700	.FLOAT	1
3	09491-90007	.JET, main (90)	1
4	13332-44080	.GASKET	1
5	09494-00543	.JET, needle (P-O)	1
6	13383-21DA0	.NEEDLE, jet (3R14-3)	1
7	13394-10010	.E RING	1
8	13254-01010	.PIN, float	1
9	13370-21DA0	.VALVE ASSY, needle (1.8)	1
10	13392-01010	GASKET	1
11	09492-17006	.JET, pilot (17.5)	1
12	09351-30503-600	.HOSE, air vent	2 600-375
13	13601-04148	.SCREW	4
14	13551-23400	.VALVE, piston (CA:1.5)	1
15	13581-09210	.PLATE	1
16	13573-36110	.SPRING	1
17	13268-48700	.SPRING	1
18	13267-01010	.SCREW, adjuster	1
19	13577-22600	.ADJUSTER, cable	1
20	13661-16600	.NUT	1
21	13247-13A00	.PLUG, drain	1
22	13418-03110	.HOLDER, guide	1
23	13417-01010	.SPRING	1
24	13411-01010	.PLUNGER	1
25	13268-01010	.SPRING	1
26	09351-30503-600	.HOSE, over flow (3x5x600)	1 600-225
27	13269-95110	.SCREW, air (1 1/4)	1
28	13261-17400	.CAP ASSY	1

FIG. 6

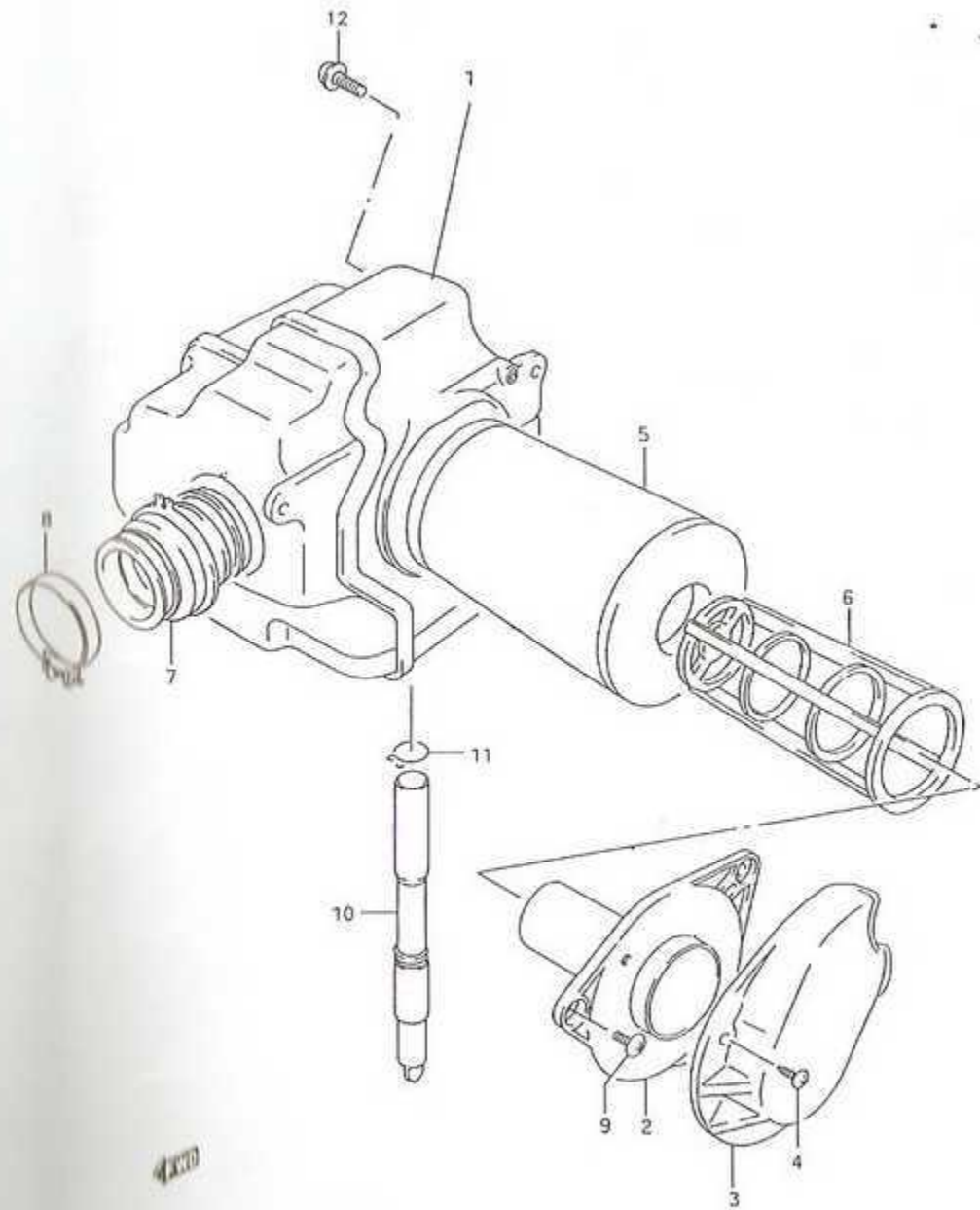


FIG. 6 (B-8) AIR CLEANER

REF. NO.	PART NO.	DESCRIPTION	QTY	REMARKS
1	13700M21D10	CASE CLEANER ASSY, air	1	
2	13740M21D00	.CAP	1	
3	13891-21D00	.TUBE, inlet	1	
4	03241-14103	.SCREW, tapping	3	
5	13780M21D00	.FILTER	1	
6	13791M21D00	.HOLDER	1	
7	13881M21D10	.TUBE, outlet	1	
8	09402-50208	.CLAMP	1	
9	02142-05103	.SCREW	3	
10	13872-00A00-010	.CAP, drain	1	
11	09401-13409	.CLIP, drain	1	
12	02112-16163	SCREW	3	

2

FIG. 7

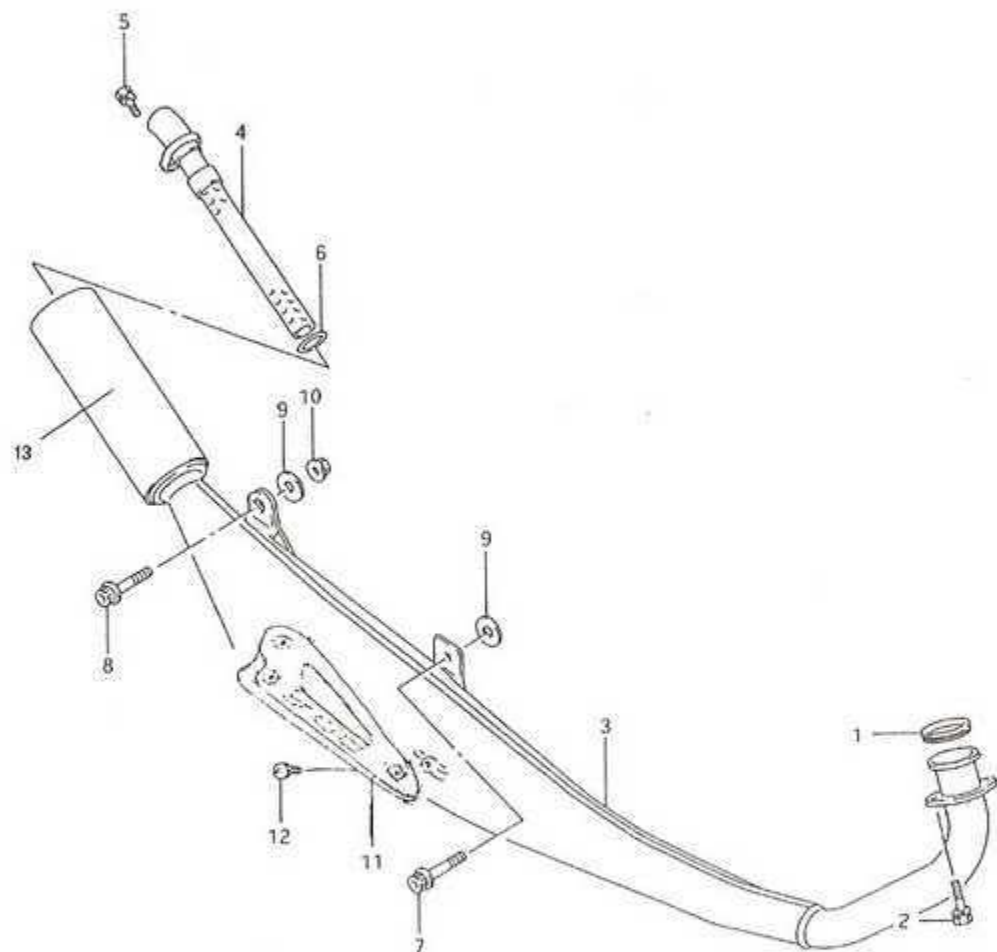


FIG. 7 (B-9) MUFFLER

REF. NO.	PART NO.	DESCRIPTION	QTY	RI
1	14181M35410	GASKET, exhaust pipe	1	
2	09137-08007	BOLT	2	
3	14301M21D40	MUFFLER ASSY	1	
4	14510M21D21A	.PIPE, baffle	1	
5	09137-05009	.SCREW	1	
6	09280-22016	.O RING	1	
7	07120-08357	BOLT	1	
8	07120-08357	BOLT	1	
9	08322-01083	WASHER	2	
10	08316-10082	NUT	1	
11	14780M-21D00A	PROTECTOR, muffler	1	
12	02112-36083	SCREW	3	
13	14781M21D70	COVER MUFFLER	1	

2

FIG. 8

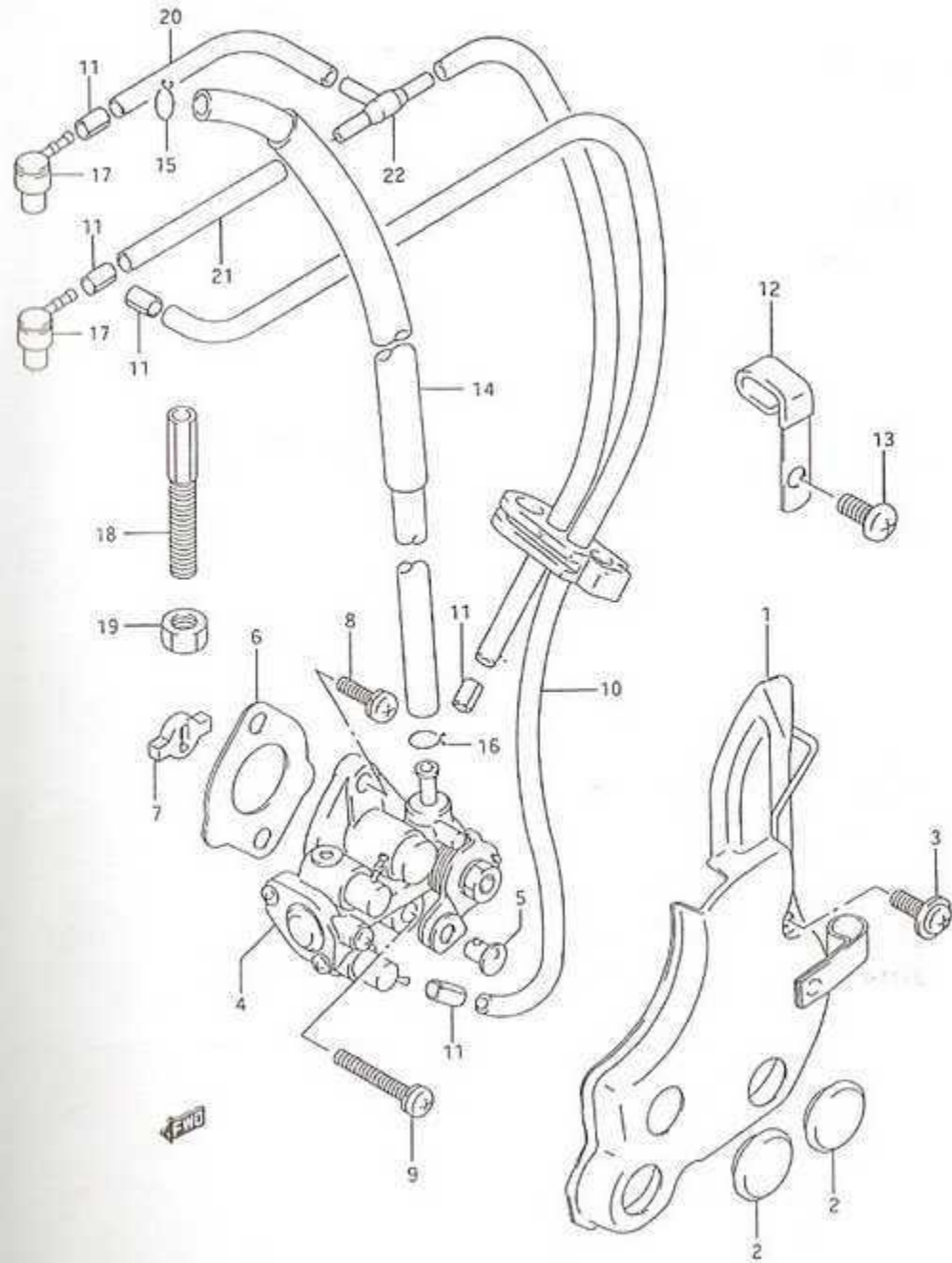


FIG. 8 (B-10) OIL PUMP

REF. NO.	PART NO.	DESCRIPTION	QTY	REMARKS
1	11385M21D00	CAP, oil pump inspection	1	
2	09250-12009	CAP	2	
3	02112-05103	SCREW	2	
4	16100-21D11	PUMP ASSY, oil	1	
5	16292-03112	TERMINAL, cable	1	
6	16731-03101	GASKET, oil pump	1	
7	16391-05031	PIECE, drive	1	
8	02112-35163	SCREW	1	
9	02112-35303	SCREW	1	
10	16820-21D02	HOSE, oil No. 2	1	
11	09401-04401	CLIP	5	
12	16816-21D00	CLAMP, oil hose No. 2	1	
13	02112-06123	SCREW	1	
14	16810-21D00	HOSE, oil No. 1	1	
15	09401-09101	CLIP, oil hose, upper	1	
16	09401-08401	CLIP, oil hose, lower	1	
17	16910-21D00	NIPPLE, oil hose No. 2	2	
18	16192M38D00	ADJUSTER	1	
19	08310-00083	NUT	1	
20	09352-20503-600	HOSE, oil No. 2 R	1	600-170
21	09352-20503-600	HOSE, oil No. 2 L	1	600-105
22	09367-03001	JOINT, oil hose No. 2	1	



FIG. 9

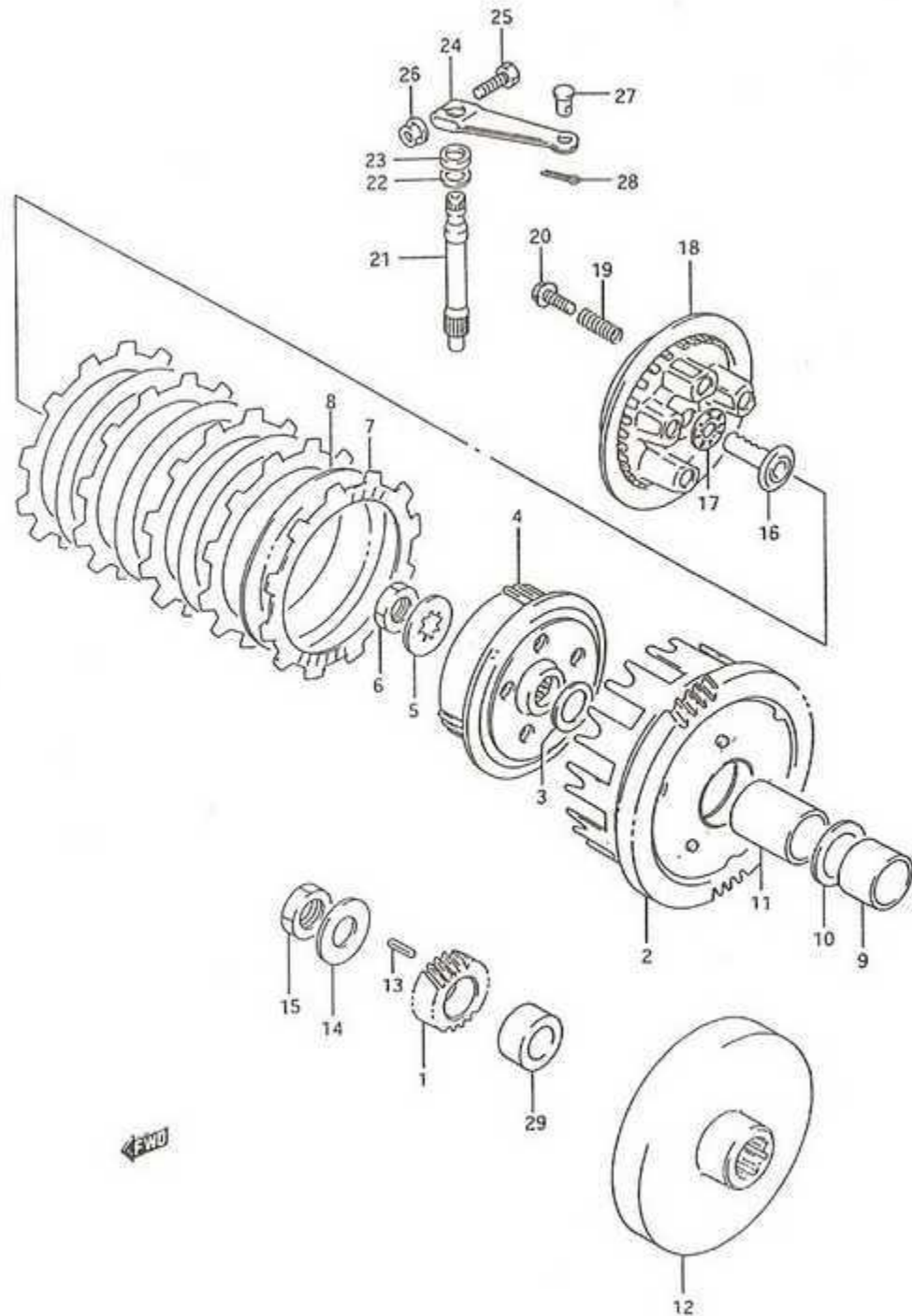


FIG. 9 (C-2) CLUTCH

REF. NO.	PART NO.	DESCRIPTION	Q'TY
1	21111-21D10	GEAR, primary drive	1
2	21200-21D30	GEAR, primary driven	1
3	08211-17282	WASHER	1
4	21411-21D30	HUB, clutch sleeve	1
5	09167-17002	WASHER	1
6	09140-16005	NUT	1
7	21441-21D11	PLATE, drive	5
8	21451-22000	PLATE, driven	4
9	09180-17100	SPACER	1
10	08211-17282	WASHER	1
11	21251-21D70	SPACER	1
12	12656-21D10	FLYWHEEL	1
13	09421-04004	KEY	1
14	09164-16005	WASHER	1
15	09140-16005	NUT	1
16	23165-21D10	RACK, release	1
17	09263-10002	BEARING	1
18	21462-21D30	DISK, pressure	1
19	09440-15008	SPRING	5
20	09116-05003	BOLT	5
21	23261-13A01	PINION, release	1
22	09160-12086	WASHER (12.5x17x1.0)	1
23	09285-10004	SEAL	1
24	23271-28B00	ARM, RELEASE	1
25	01500-06253	BOLT	1
26	08316-10063	NUT	1
27	09200-06004	PIN	1
28	04111-20158	COTTER PIN	1
29	21114-21D00	SPACER	1

FIG. 10

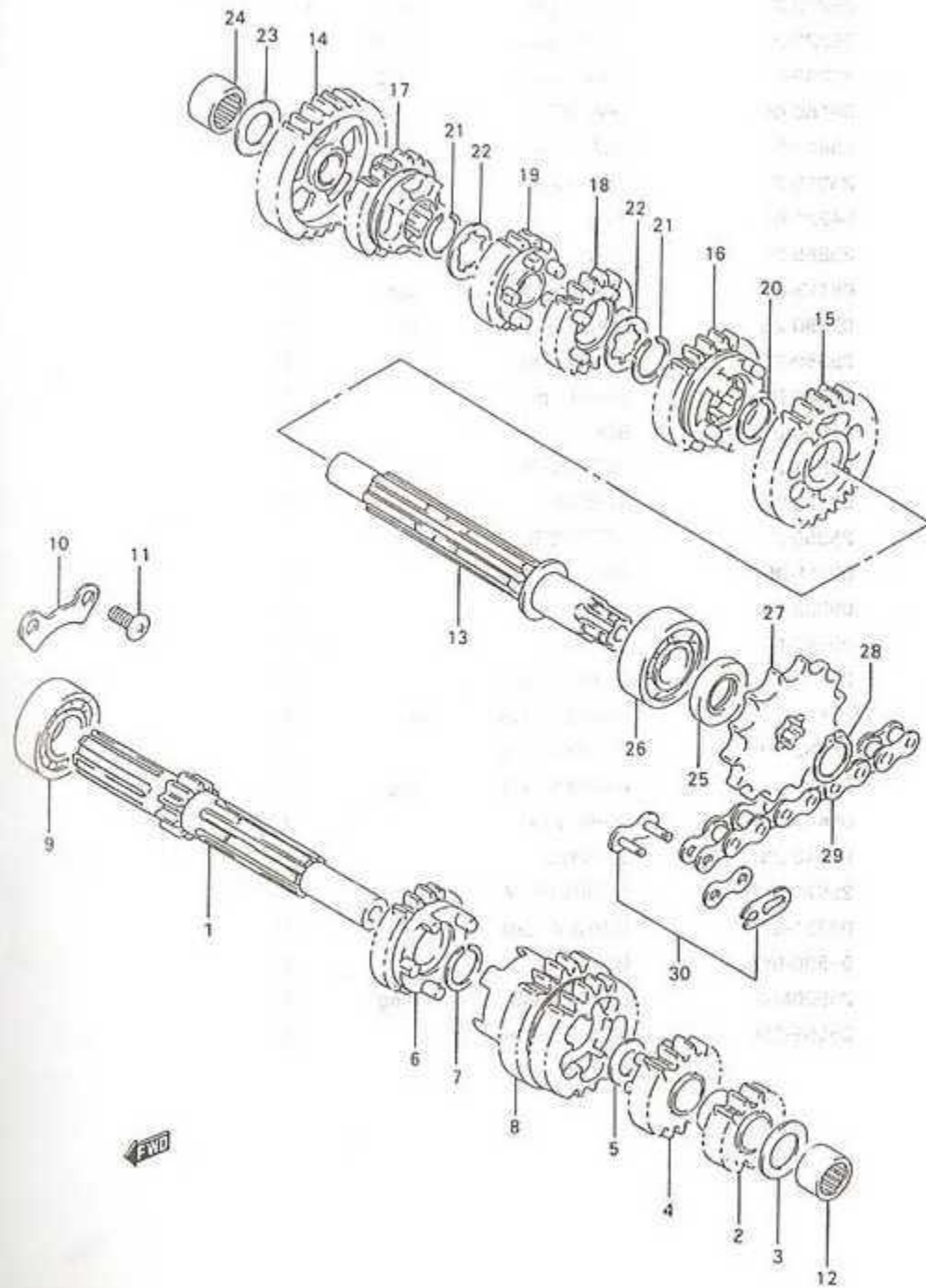


FIG. 10 (C-3) TRANSMISSION

11.DIR

REF. NO.	PART NO.	DESCRIPTION	Q'TY	REMARKS
1	24121-21D11	COUNTERSHAFT (NT:11)	1	
2	24221-21D01	GEAR, 2nd drive (NT: 14)	1	
3	09160-13006	WASHER (13x24x1.0)	1	
4	24230-38D00	GEAR, 3rd drive (NT:17)	1	
5	09160-13012	WASHER (13x8x1.0)	1	
6	24241-21D00	GEAR, 4th drive (NT:19)	1	
7	09380-17007	CIRCLIP	1	
8	24251-21D11	GEAR, 5th & 6th drive (NT:20)	1	
9	08110-62030	BEARING, RH	1	
10	24741-21D00	RETAINER, bearing	1	
11	02112-06123	SCREW	2	
12	09263-13001	BEARING, LH	1	
13	24131-21D00	SHAFT, drive	1	
14	24310-21D00	GEAR, 1st driven (NT:32)	1	
15	24321-21D02	GEAR, 2nd driven (NT:24)	1	
16	24331-21D00	GEAR, 3rd driven (NT:22)	1	
17	24341-21D00	GEAR, 4th driven (NT:20)	1	
18	24351-21D00	GEAR, 5th driven (NT:18)	1	
19	24361-21D10	GEAR, 6th driven (NT:17)	1	
20	09380-17010	CIRCLIP	1	
21	09380-17010	CIRCLIP	2	
22	09167-17003	WASHER	2	
23	09160-13006	WASHER	1	
24	09263-13001	BEARING, RH	1	
25	09283-17014	OIL SEAL	1	
26	09262-17023	BEARING, LH	1	
27	27511-46000	SPROCKET, engine (NT:13)	1	
28	08331-31166	CIRCLIP	1	
29	27600-20910-126	CHAIN, drive (DID428, 126LE)	1	
30-1	27620-20910	JOINT (DID)	1	
30-2	27620-40220	JOINT (RK)	1	

2

FIG. 10

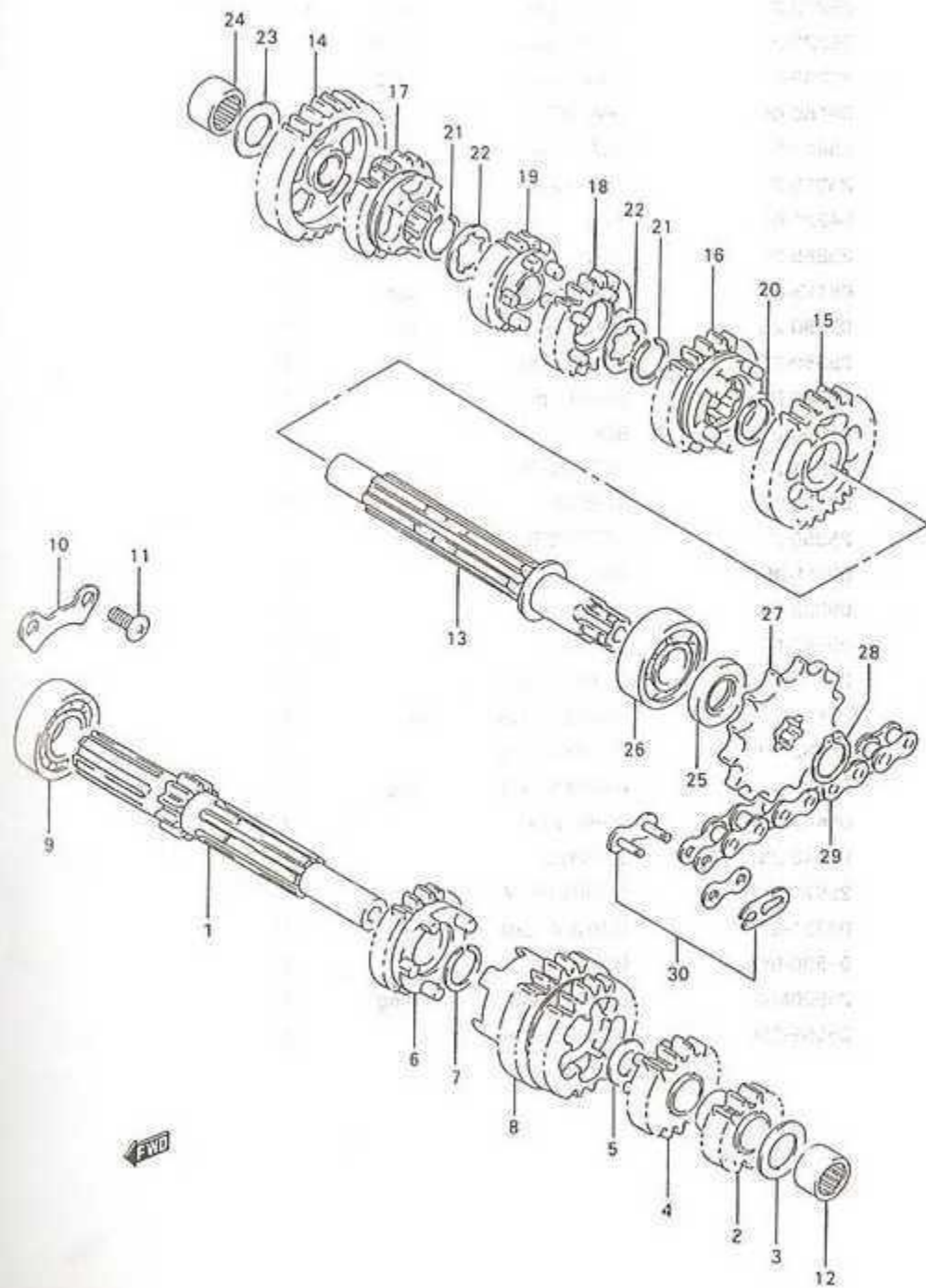


FIG. 10 (C-3) TRANSMISSION

11.DR

REF. NO.	PART NO.	DESCRIPTION	Q'TY	REMARKS
1	24121-21D11	COUNTERSHAFT (NT:11)	1	
2	24221-21D01	GEAR, 2nd drive (NT:14)	1	
3	09160-13006	WASHER (13x24x1.0)	1	
4	24230-38D00	GEAR, 3rd drive (NT:17)	1	
5	09160-13012	WASHER (13x8x1.0)	1	
6	24241-21D00	GEAR, 4th drive (NT:19)	1	
7	09380-17007	CIRCLIP	1	
8	24251-21D11	GEAR, 5th & 6th drive (NT:20)	1	
9	08110-62030	BEARING, RH	1	
10	24741-21D00	RETAINER, bearing	1	
11	02112-06123	SCREW	2	
12	09263-13001	BEARING, LH	1	
13	24131-21D00	SHAFT, drive	1	
14	24310-21D00	GEAR, 1st driven (NT:32)	1	
15	24321-21D02	GEAR, 2nd driven (NT:24)	1	
16	24331-21D00	GEAR, 3rd driven (NT:22)	1	
17	24341-21D00	GEAR, 4th driven (NT:20)	1	
18	24351-21D00	GEAR, 5th driven (NT:18)	1	
19	24361-21D10	GEAR, 6th driven (NT:17)	1	
20	09380-17010	CIRCLIP	1	
21	09380-17010	CIRCLIP	2	
22	09167-17003	WASHER	2	
23	09160-13006	WASHER	1	
24	09263-13001	BEARING, RH	1	
25	09283-17014	OIL SEAL	1	
26	09262-17023	BEARING, LH	1	
27	27511-46000	SPROCKET, engine (NT:13)	1	
28	08331-31166	CIRCLIP	1	
29	27600-20910-126	CHAIN, drive (DID428, 126LE)	1	
30-1	27620-20910	JOINT (DID)	1	
30-2	27620-40220	JOINT (RK)	1	

2

FIG. 11

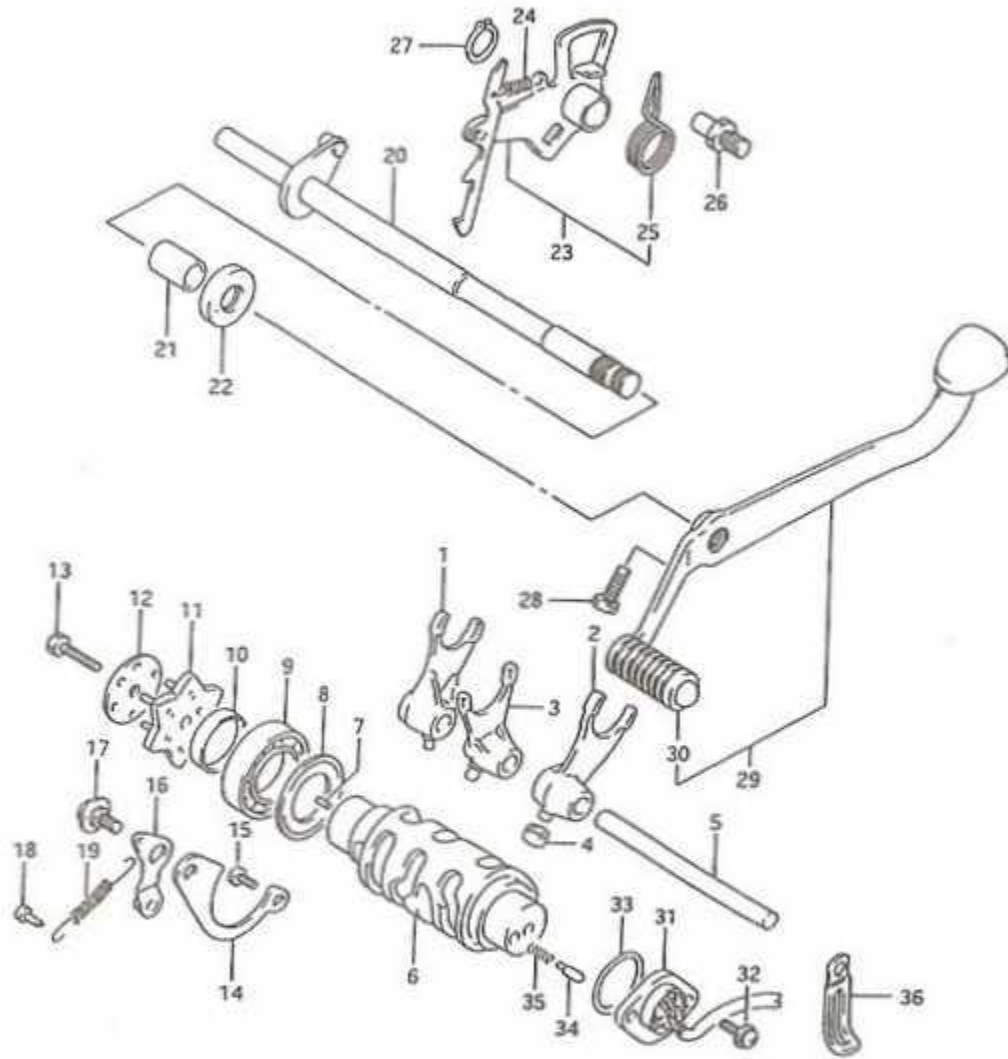


FIG. 11 (C-4) GEAR SHIFTING

REF. NO.	PART NO.	DESCRIPTION	QTY
1	25210-21D00	FORK, gear shifting, No. 1	1
2	25220-21D00	FORK, gear shifting, No. 2	1
3	25230-21D00	FORK, gear shifting, No. 3	1
4	09180-06086	SPACER (6x9.8x6)	3
5	25411-21D01	SHAFT, gear shifting	1
6	25310-21D10	CAM, gear shifting	1
7	04221-04089	.PIN	1
8	25385-21D00	SEAL	1
9	08113-69050	BEARING, gear shift cam	1
10	09180-25097	SPACER, gear shift cam	1
11	25380-21D10	PLATE, gear shift cam	1
12	25384-21D00	GUIDE, pin	1
13	01500-06253	BOLT	1
14	25341-21D01	RETAINER	1
15	02112-06123	SCREW	1
16	25350-21D00	STOPPER, cam	1
17	09111-06041	BOLT	1
18	09223-04001	HOOK	1
19	09443-07042	SPRING	1
20	25510-21D12	SHAFT, gear shifting	1
21	25516-21D10	SPACER (12x18x14.8)	1
22	09285-12002	OIL SEAL (12x22x9)	1
23	25501-21D10	ARM ASSY, gear shifting	1
24	09443-05020	.SPRING	1
25	09443-23002	.SPRING	1
26	25671-36A00	STOPPER, ARM	1
27	08331-31146	CIRCLIP, gear shift arm	1
28	01500-06203	BOLT	1
29	25600M-21D10	LEVER ASS, gear shifting	1
30	25652-20C00	.RUBBER, pedal	1

FIG. 11

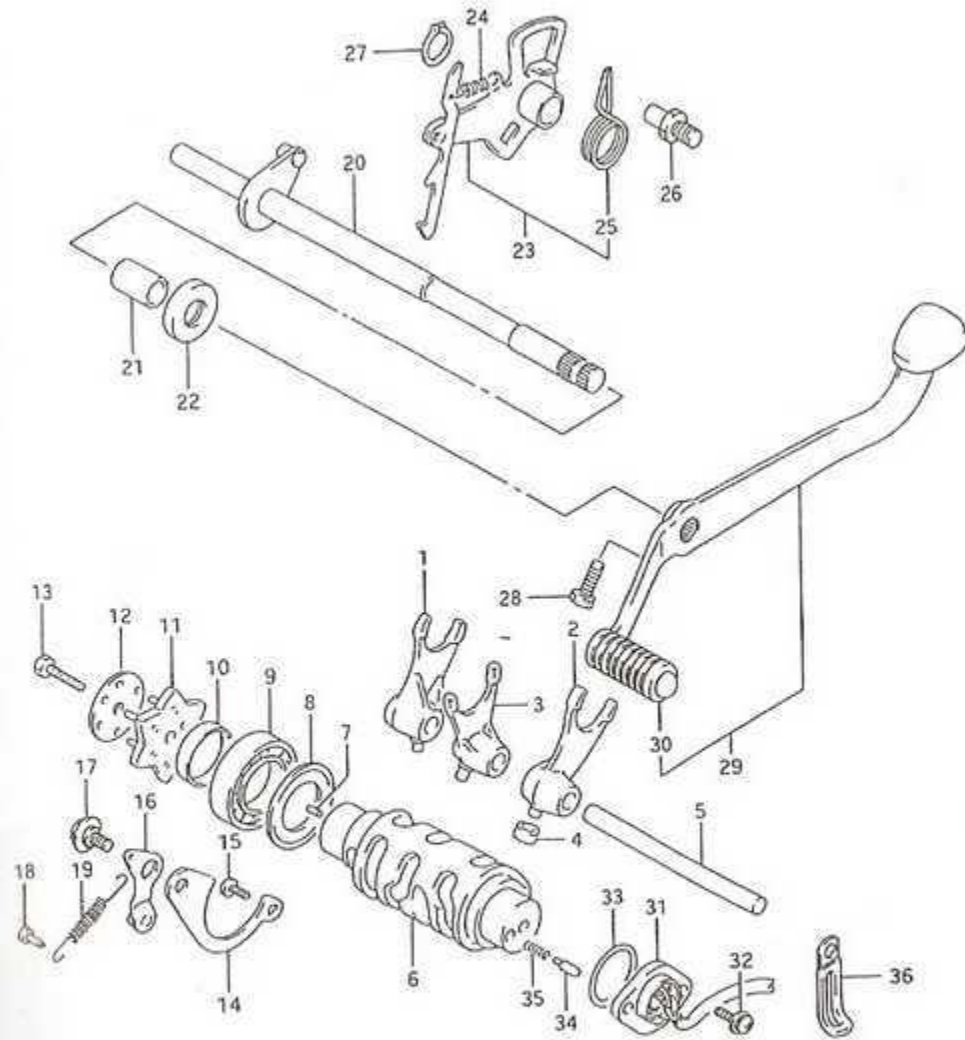


FIG. 11 (C-5) GEAR SHIFTING

REF. NO.	PART NO.	DESCRIPTION	Q'TY	REMARKS
31	37720-21D50	BASE ASSY, gear shift	1	
32	02142-05123	SCREW	2	
33	09280-26003	O RING (D2:2.4, ID:26.2)	1	
34	09209-05011	CONTACT, switch	1	
35	09440-04010	SPRING	1	
36	09404-06429	CLAMP (L:60)	2	

2

FIG. 15

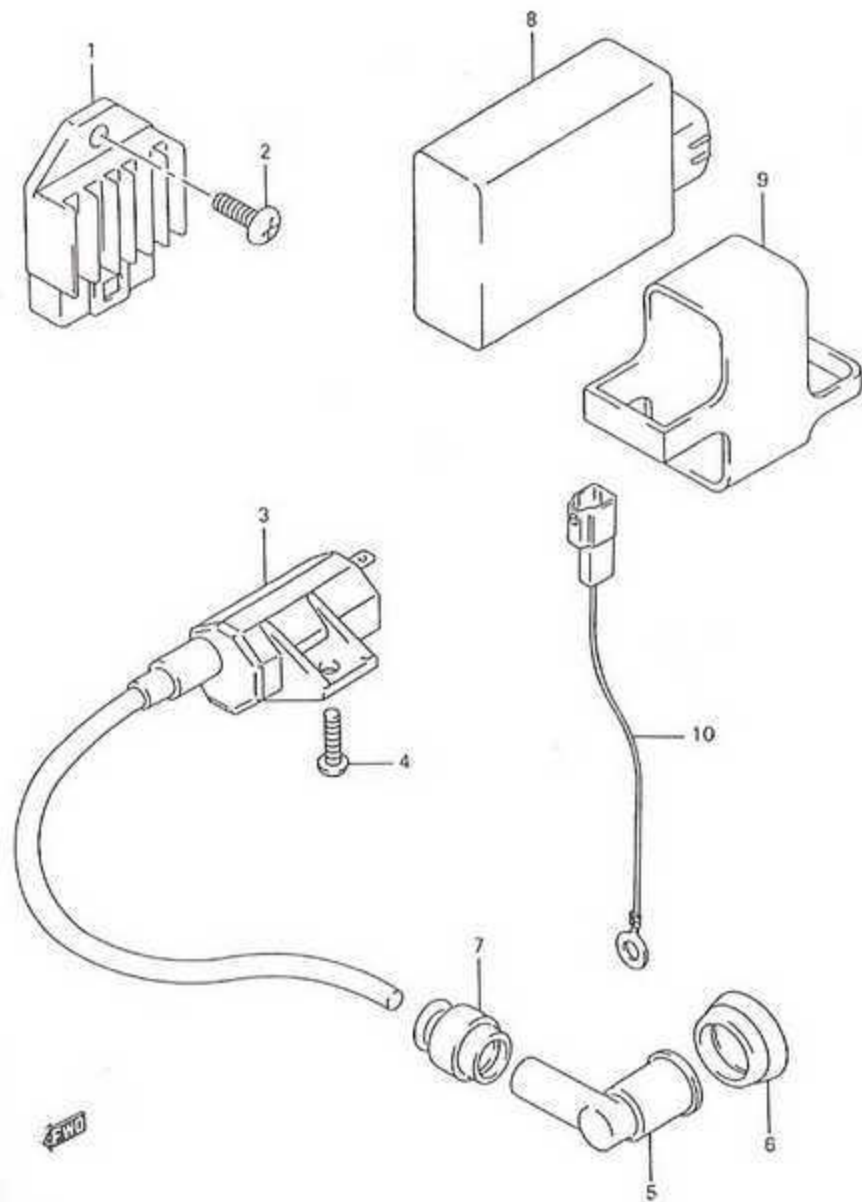


FIG. 15 (D-4) ELECTRICAL

REF. NO.	PART NO.	DESCRIPTION	QTY	REMARKS
1	32800-36C30	RECTIFIER ASSY, regulator	1	
2	02112-06163	SCREW	1	
3	33410-22A00	COIL ASSY, ignition	1	
4	02142-06163	SCREW	1	
5	33510-35411	CAP, spark plug	1	
6	33541-69010	SEAL, plug	1	
7	33542-38B00	SEAL, high tension cord	1	
8	32900-21D10	CDI UNIT	1	
9	32980M30D10	CUSHION, CDI Unit	1	
10	33860M21D00	WIRE, engine earih	1	

3

FIG. 16

3

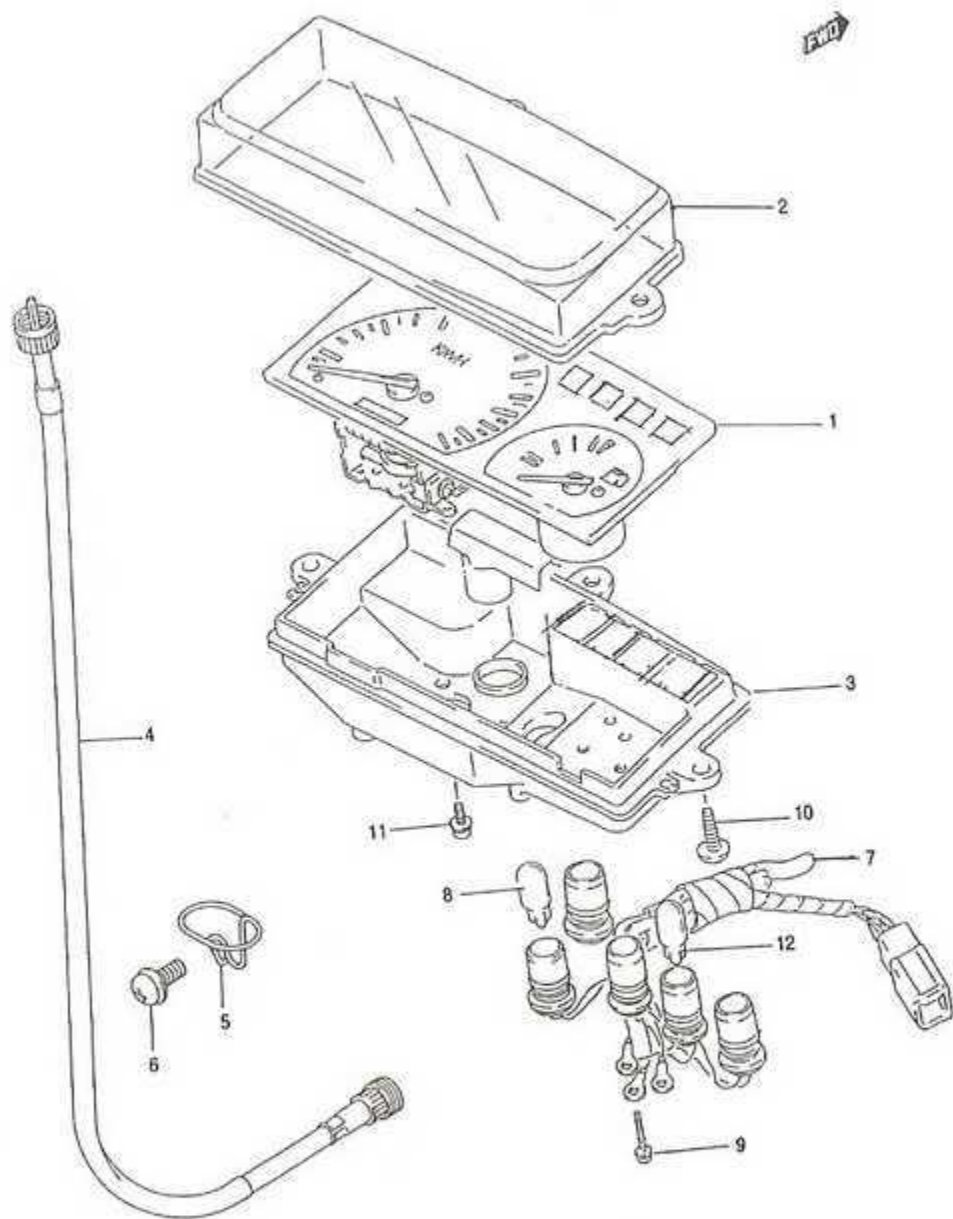


FIG. 16 (D-5) SPEEDOMETER

REF. NO.	PART NO.	DESCRIPTION	QTY
	34100M21D40	SPEEDOMETER ASSY	1
1	34120M21D40	METER	1
2	34150M39C00	HOOD METER	1
3	34111M21D40	CASE	1
4	34910M21D11	CABLE ASSY, speedometer	1
5	34938-21D01	GUIDE, speedometer	1
6	02112-16123	SCREW	1
7	3417321D20	SOCKET	1
8	0947112018	BULB	1
9	34383-09400	SCREW	3
10	03541-05163	SCREW	3
11	02112-74103	SCREW	2
12	09471-12077	BULB	4

FIG. 20

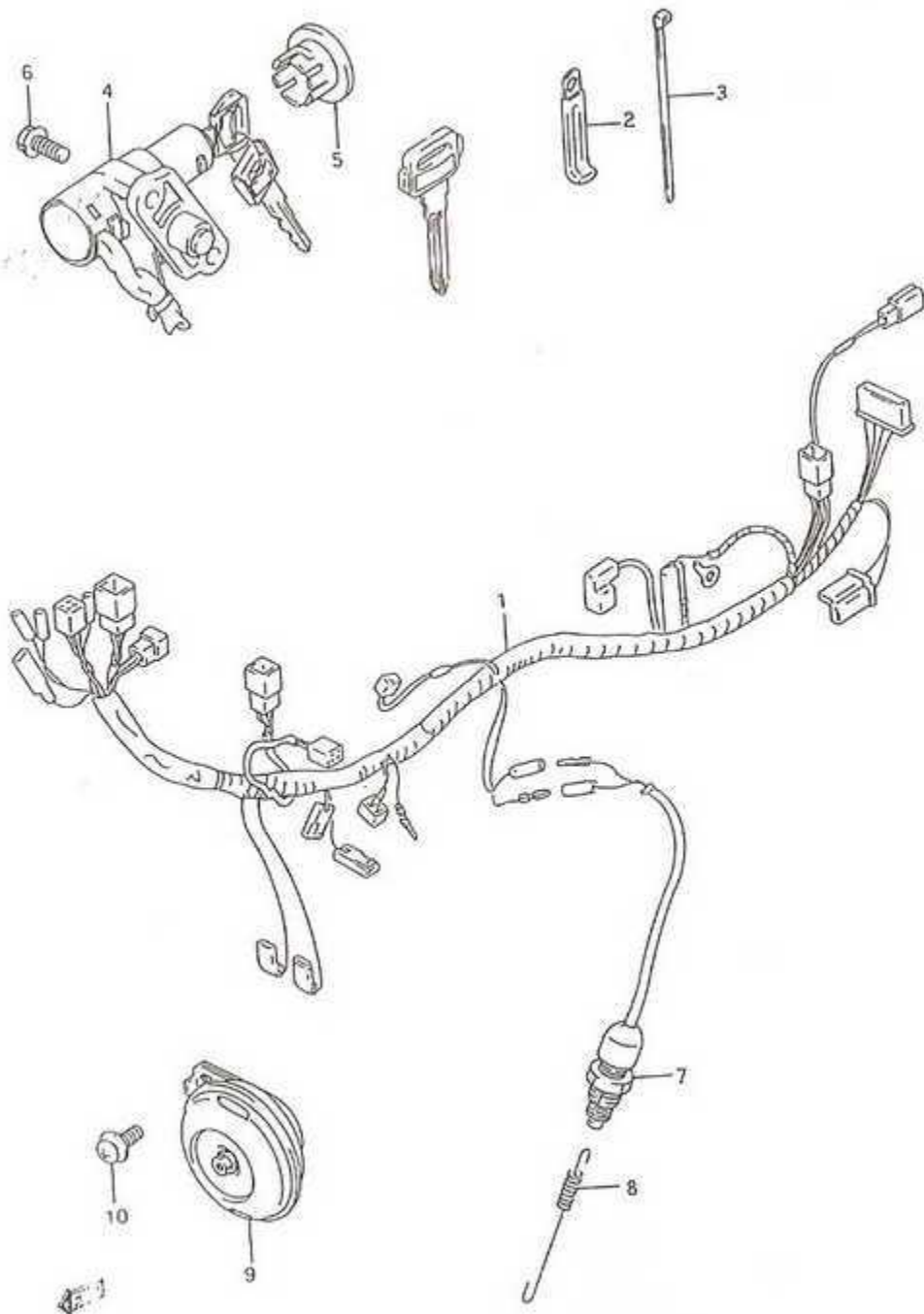


FIG. 20 (D-9) WIRING HARNESS

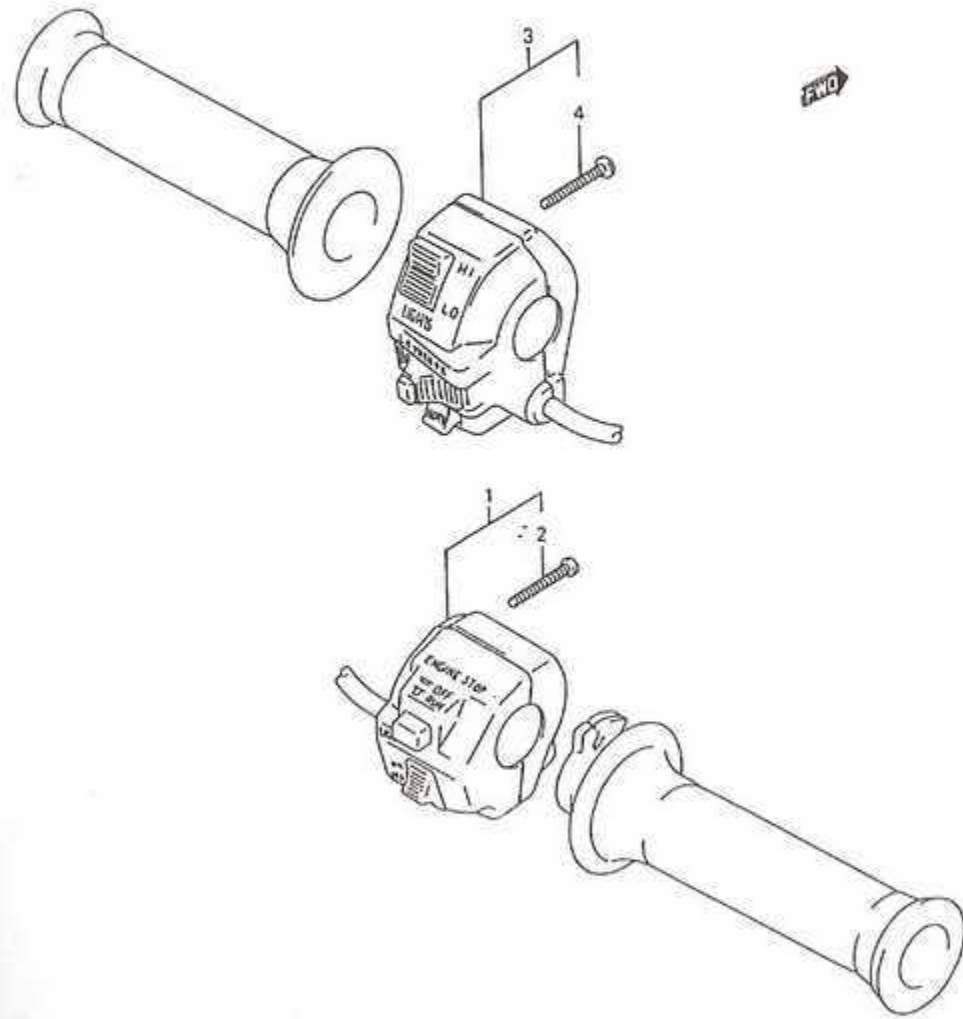
REF. NO.	PART NO.	DESCRIPTION	Q'TY
1	36610M21D70	HARNESS, wiring	1
2	09404-06429	CLAMP (L:60)	1
3-1	09407-11401	CLAMP (L:95)	1
3-2	09407-14403	CLAMP (L:125)	3
3-3	09407-18403	CLAMP (L:165)	4
3-4	09407-25401	CLAMP (L:235)	1
4	37100-31C01	LOCK ASSY, steering	1
5	37155-31C00	CAP	1
6	01550-06163	BOLT	2
7	37740-04A10	SWITCH ASSY, stop lamp	1
8	09443-06027	SPRING	1
9	38500-21D11	HORN ASSY	1
10	02112-16123	SCREW	1

3

FIG. 21

FIG. 21 (D-10) HANDLE SWITCH

REF. NO.	PART NO.	DESCRIPTION	QTY	REMARKS
1	37200-21D30	SWITCH ASSY, handle RH	1	
2	02112-05305	.SCREW	2	
3	37400-21D10	SWITCH ASSY, handle LH	1	
4	02112-05305	.SCREW	2	



3

FIG. 22

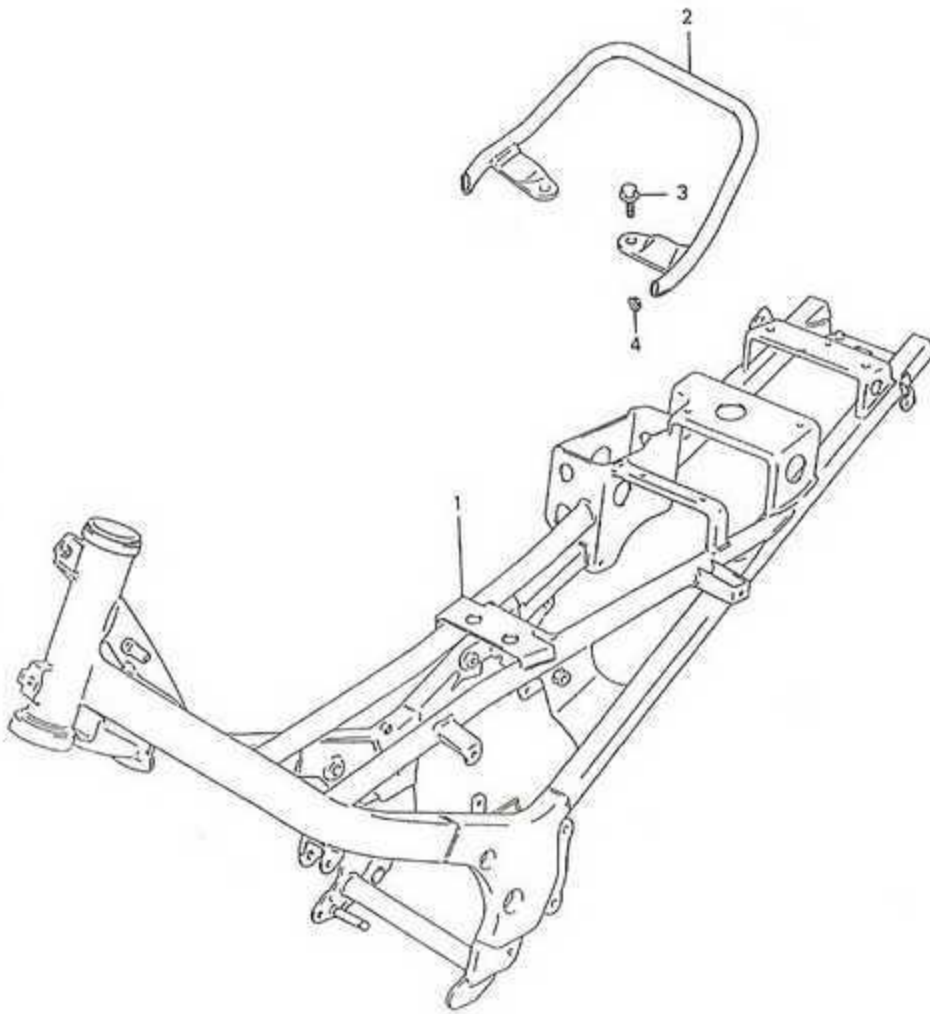


FIG. 22 (E-2) FRAME

REF. NO.	PART NO.	DESCRIPTION	QTY
1	41100M21D60	FRAME	1
2	46210M21D10A	HANDLE, pillion rider	1
3	46210M31C99A	PLUG	2
4	01550-10203	BOLT	2

FIG. 23

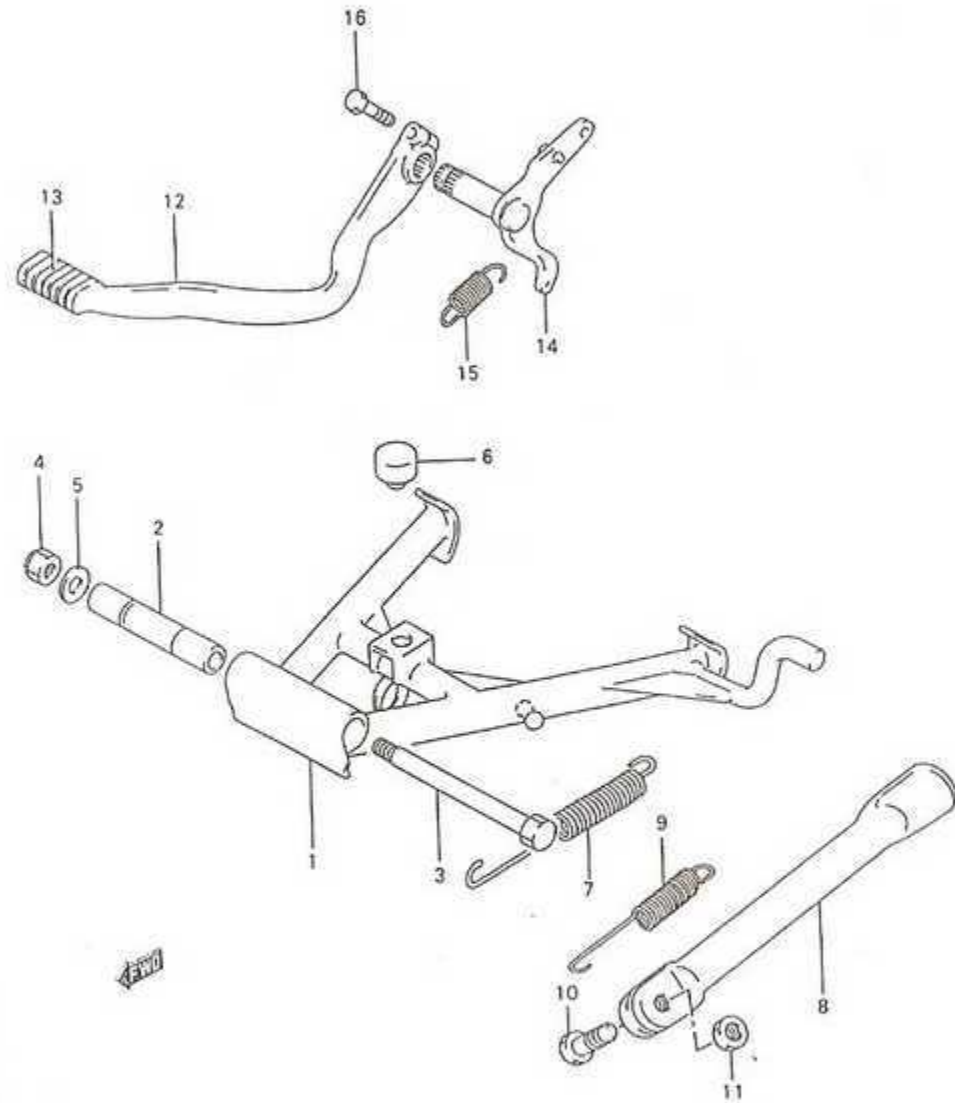


FIG. 23 (E-3) STAND - REAR BRAKE

REF. NO.	PART NO.	DESCRIPTION	QTY	REMARKS
1	42100M21D10	STAND, center	1	
2	42211M03001	SPACER, center stand	1	
3	42129-21D00	BOLT	1	
4	08319-21106	NUT	1	
5	09160-10005	WASHER	1	
6	09321-10001	CUSHION, center stand	1	
7	42191-21D00	SPRING	1	
8	42310M21D10	STAND, prop	1	
9	09443-14022	SPRING	1	
10	09100-10287	BOLT	1	
11	09140-10043	NUT	1	
12	43110M21D20	PEDAL, brake	1	
13	25652-49300	RUBBER	1	
14	43120M21D10	ARM, brake pedal rod	1	
15	09443-14025	SPRING, brake pedal	1	
16	01500-06253	BOLT	1	

4

FIG. 24

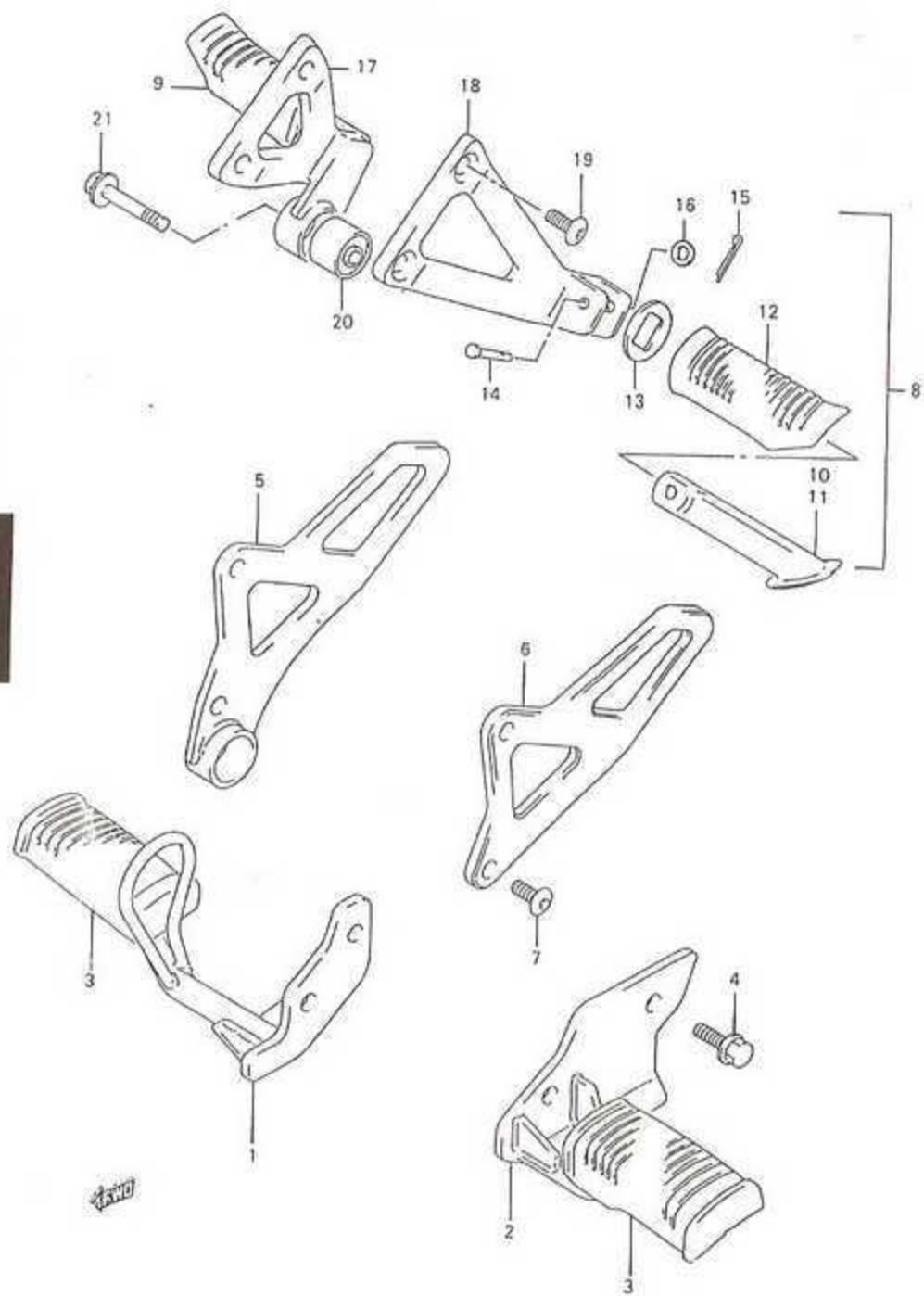


FIG. 24 (E-4) FOOTREST

REF. NO.	PART NO.	DESCRIPTION	Q'TY
1	43510M21D20	BAR, front RH	1
2	43550M21D10	BAR, front LH	1
3	43551M39110	RUBBER	2
4	09103-08505	BOLT	2
5	43580M21D10	GUARD, front footrest RH	1
6	43591M21D10	GUARD, front footrest LH	1
7	09106-08128	BOLT	4
8	43600M21D00	FOOTREST ASSY, pillion RH	1
9	43700M21D00	FOOTREST ASSY, pillion LH	1
10	43610-34A00	BAR, pillion footrest RH	1
11	43710-34A00	BAR, pillion footrest LH	1
12	43612-21D00	RUBBER	2
13	43631-34A01	WASHER	2
14	09200-06057	PIN	2
15	04111-25158	COTTER PIN	2
16	08322-01063	WASHER	2
17	43810M21D10-126	BRACKET, pillion RH (silver)	1
18	43820M21D10-126	BRACKET, pillion LH (silver)	1
19	09106-08091	BOLT	4
20	09319-08028	BUSH, muffler	1
21	09103-08222	BOLT, muffler	1

4

FIG. 25

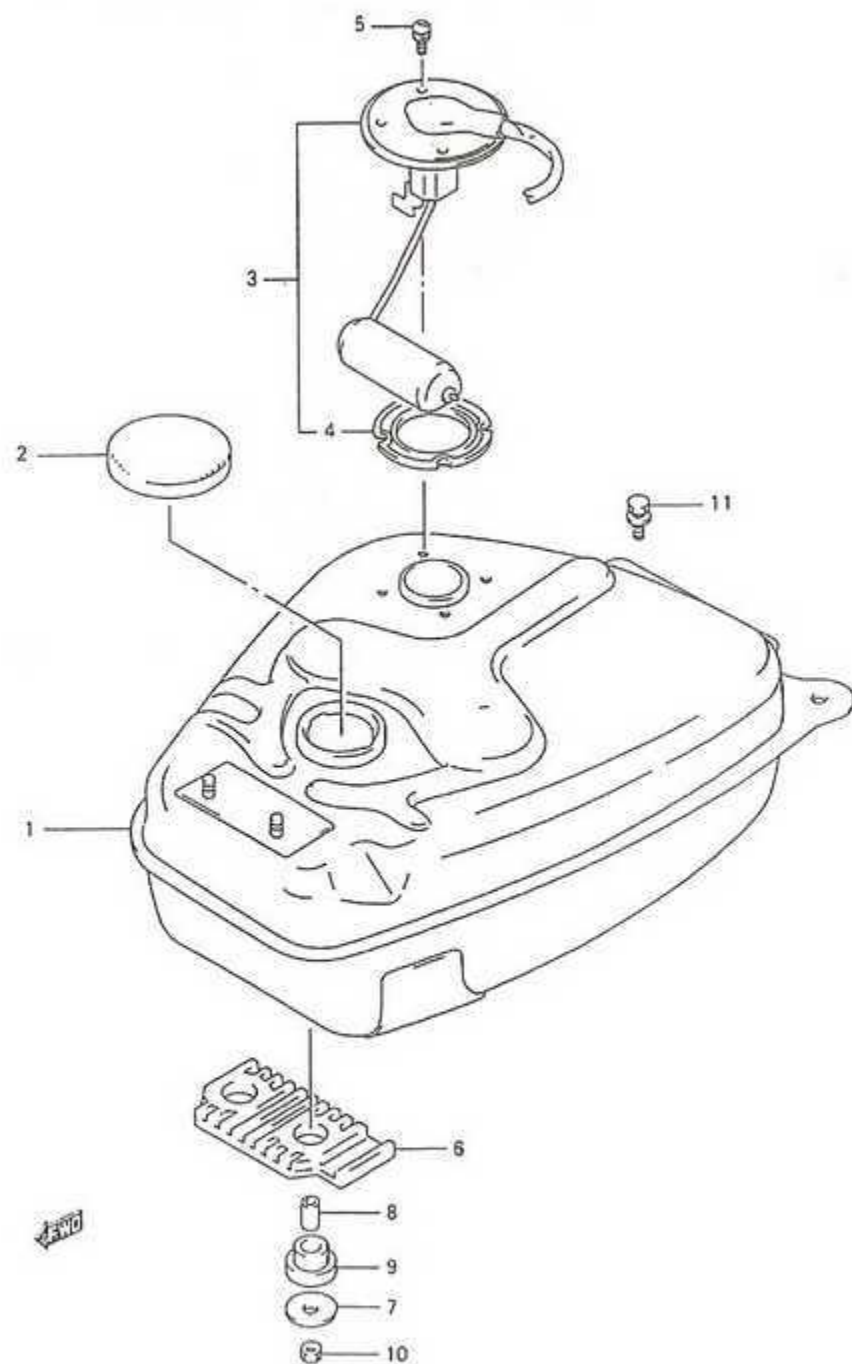


FIG. 25 (E-5) FUEL TANK

REF. NO.	PART NO.	DESCRIPTION	QTY	REMARKS
1	44110M21D10	TANK, fuel	1	
2	44210-24D10	CAP, fuel tank	1	
3	34810M21D02	GUAGE ASSY, fuel level	1	
4	34825-02100	GASKET	1	
5	02112-35123	SCREW	4	
6	44542M21D00	CUSHION, fuel tank lower	1	
7	09160-06004	WASHER, fuel tank lower	2	
8	09180-06293	SPACER, fuel tank lower	2	
9	09320-10022	CUSHION, fuel tank lower No. 2	2	
10	08310-00063	NUT, fuel tank lower	2	
11	01550-06163	BOLT, rear	2	

4

FIG. 26

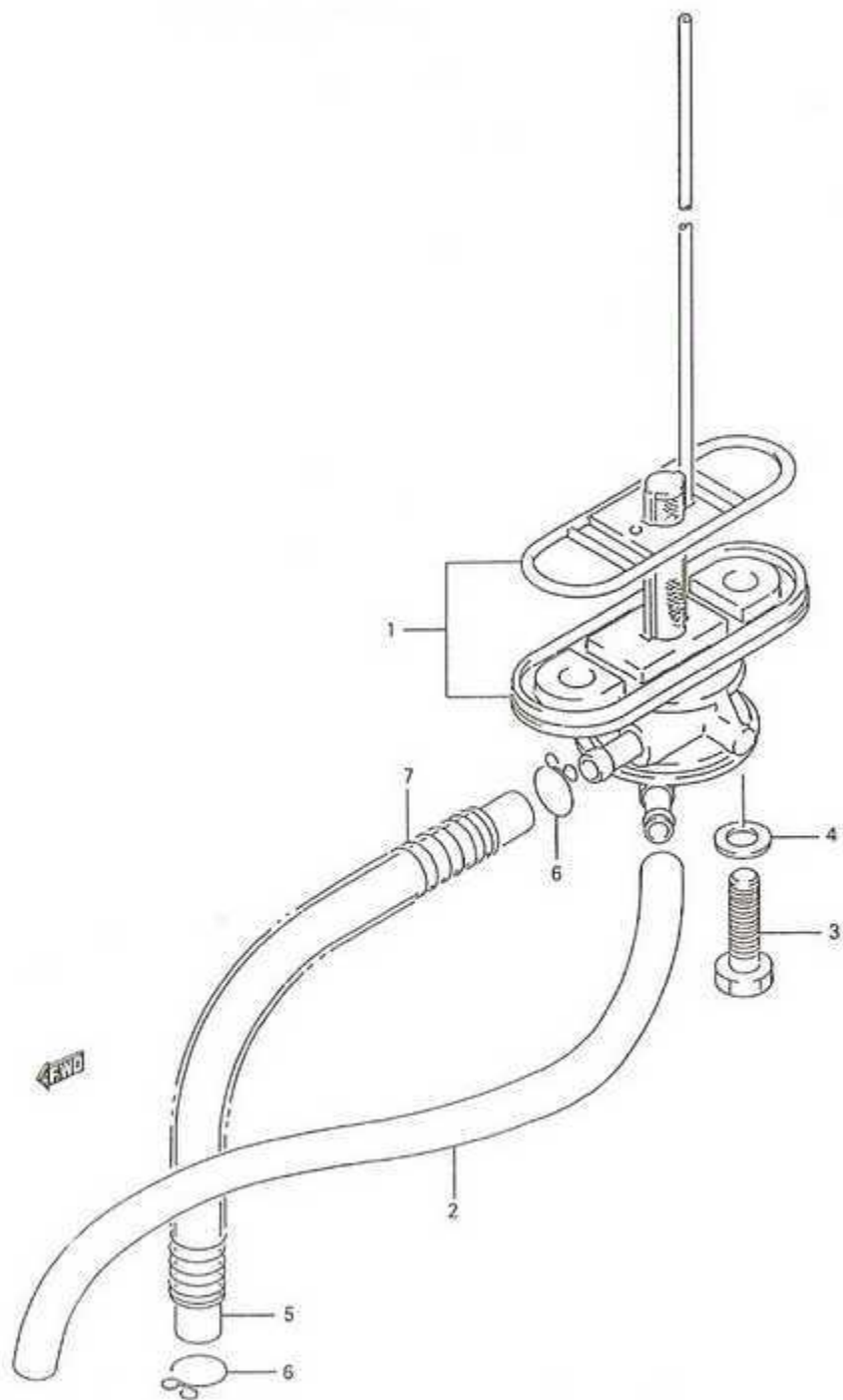


FIG. 26 (E-6) FUEL COCK

REF. NO.	PART NO.	DESCRIPTION	QTY
1	44300-21D00	COCK ASSY. fuel	1
2	44421-21D00	HOSE, fuel	1
3	09128-06035	SCREW, fuel cock	2
4	09168-06026	GASKET, fuel cock	2
5	09352-50823-440	HOSE, vacuum	1
6	09401-08401	CLIP, fuel hose	2
7	09440-10022	SPRING, fuel hose	1

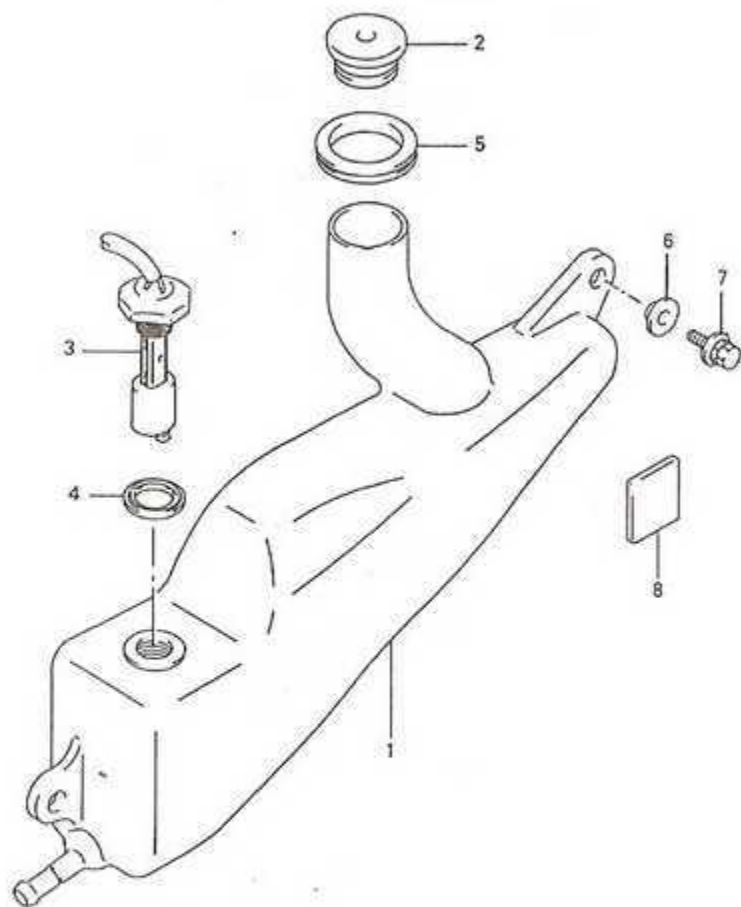
4

FIG. 27

FIG. 27 (E-7) OIL TANK

REF. NO.	PART NO.	DESCRIPTION	QTY	REMARKS
1	44611M21D10	TANK, oil	1	
2	44651-04701	CAP, oil tank filler	1	
3	37880-40D01	SWITCH ASSY, oil level	1	
4	44643-31000	GASKET, oil level switch	1	
5	44667-12900	RUBBER, oil tank inlet	1	
6	09169-06059	WASHER	2	
7	01500-06163	BOLT, oil tank	2	
8	44281-29C00	Cushion	2	

RGV120



4

FIG. 28

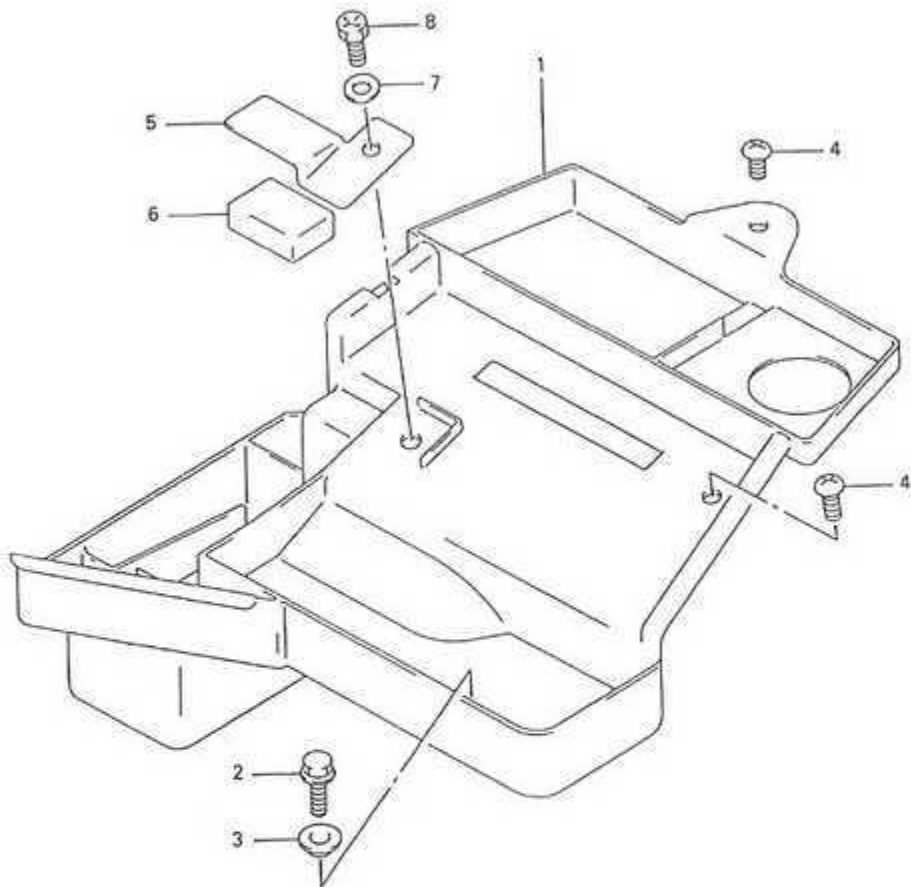


FIG. 28 (E-8) UPPER COVER

REF. NO.	PART NO.	DESCRIPTION	QTY
1	47341M21D10	COVER, upper	1
2	02142-06123	SCREW	2
3	09169-06033	WASHER, upper cover, front	2
4	02142-06163	SCREW	2
5	41561M21D10	PLATE, battery holder	1
6	41579M21D10	CUSHION	1
7	08322-01063	WASHER	1
8	09128-06049	SCREW	1

4

FIG. 29

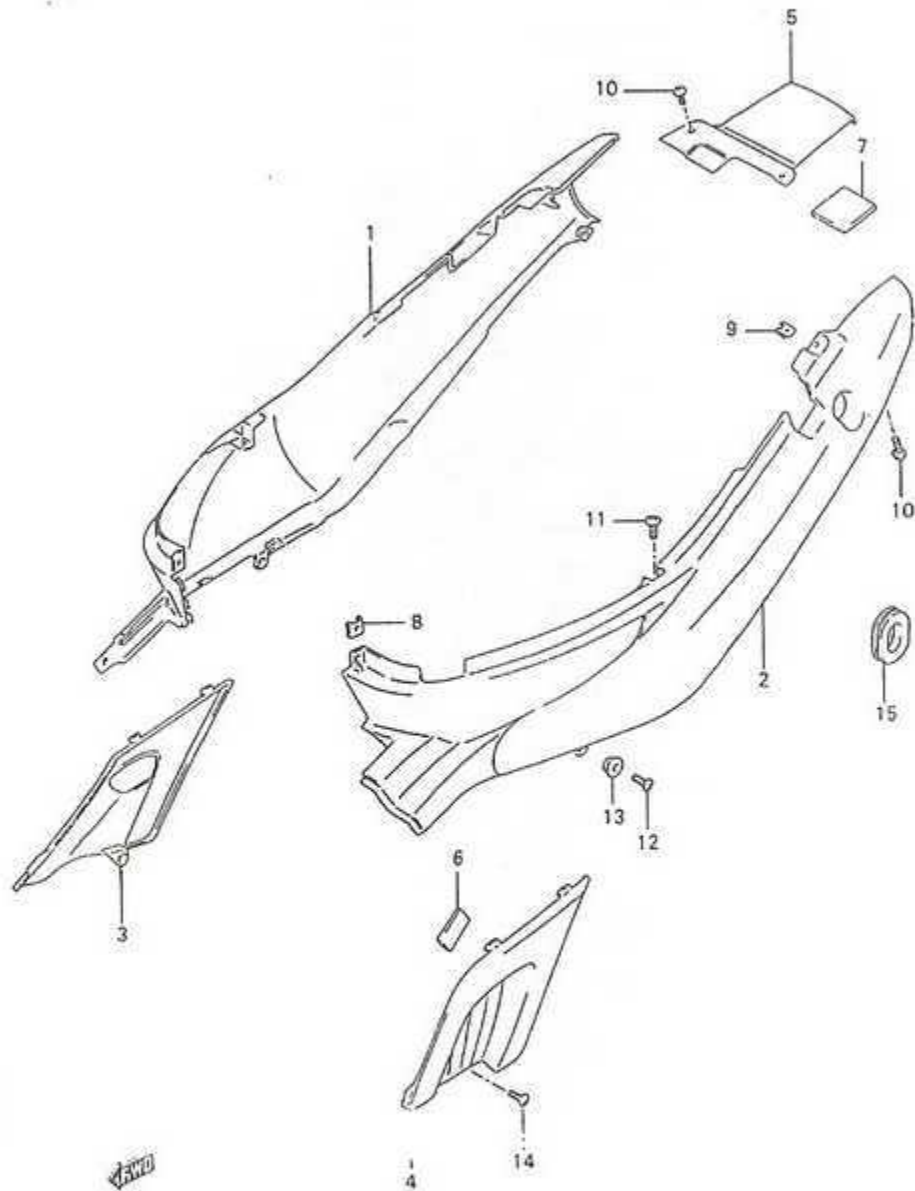


FIG. 29 (E-9) FRAME COVER

REF. NO.	PART NO.	DESCRIPTION	QTY	REMARKS
1	47111M21D90	COVER, frame RH	1	
2	47211M21D90	COVER, frame LH	1	
3	47131M21D90	COVER, side lower RH	1	
4	47231M21D90	COVER, side lower LH	1	
5	47311M21D10	COVER, side rear	1	
6	33652-35400	CUSHION, side lower LH	1	
7	33652-20000	CUSHION, rear	1	
8	09148-05004	NUT, front middle	1	
9	09148-05004	NUT, rear	2	
10	03241-05163	SCREW, rear	5	
11	02142-05163	SCREW, front upper	2	
12	02142-06123	SCREW, center lower	2	
13	09169-06033	WASHER, center lower	2	
14	02142-06163	SCREW, front lower	2	
15	48221-21D90	GROMMET, seat lock	1	

4

FIG. 30

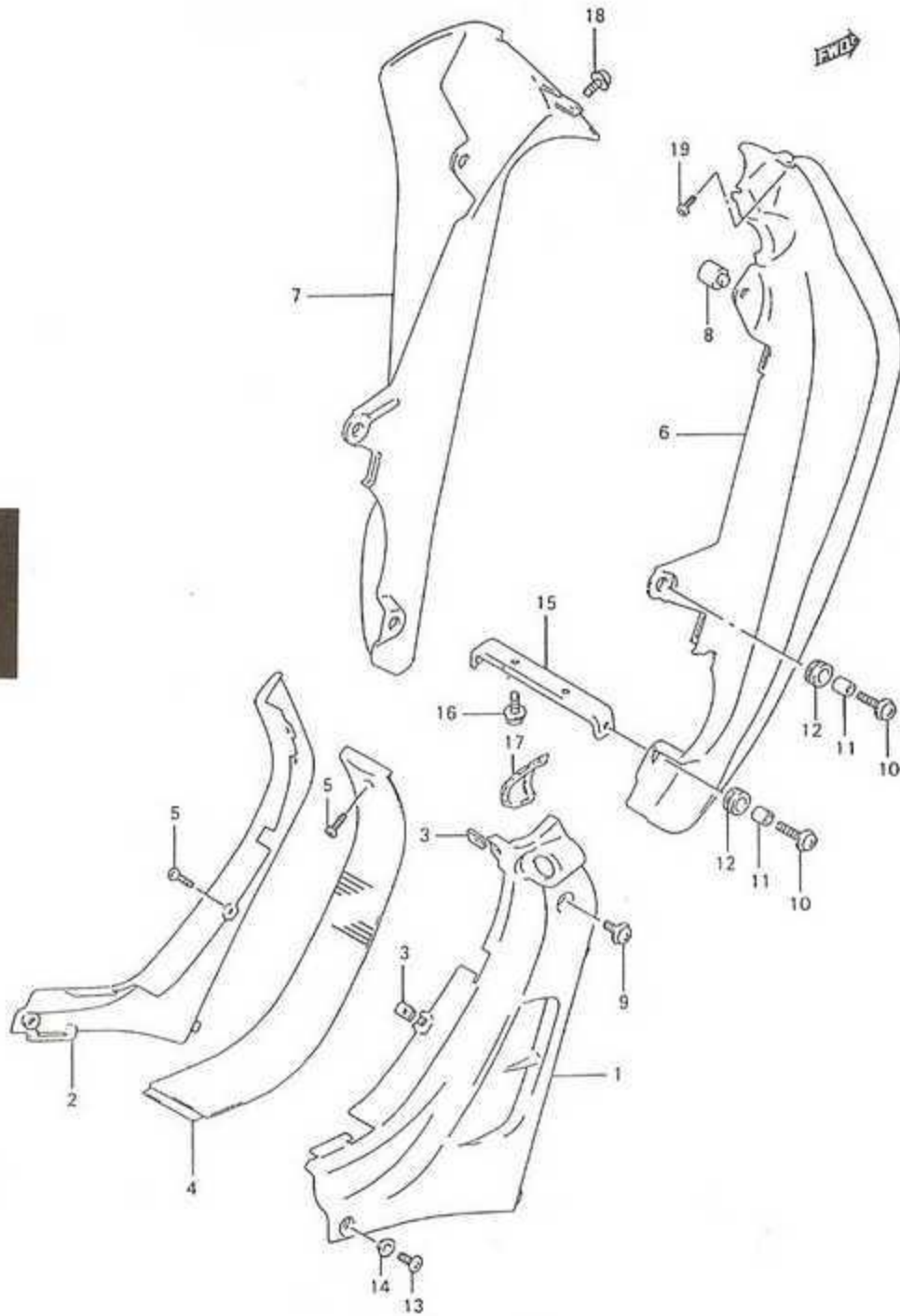


FIG. 30 (E-10) LEG SHIELD

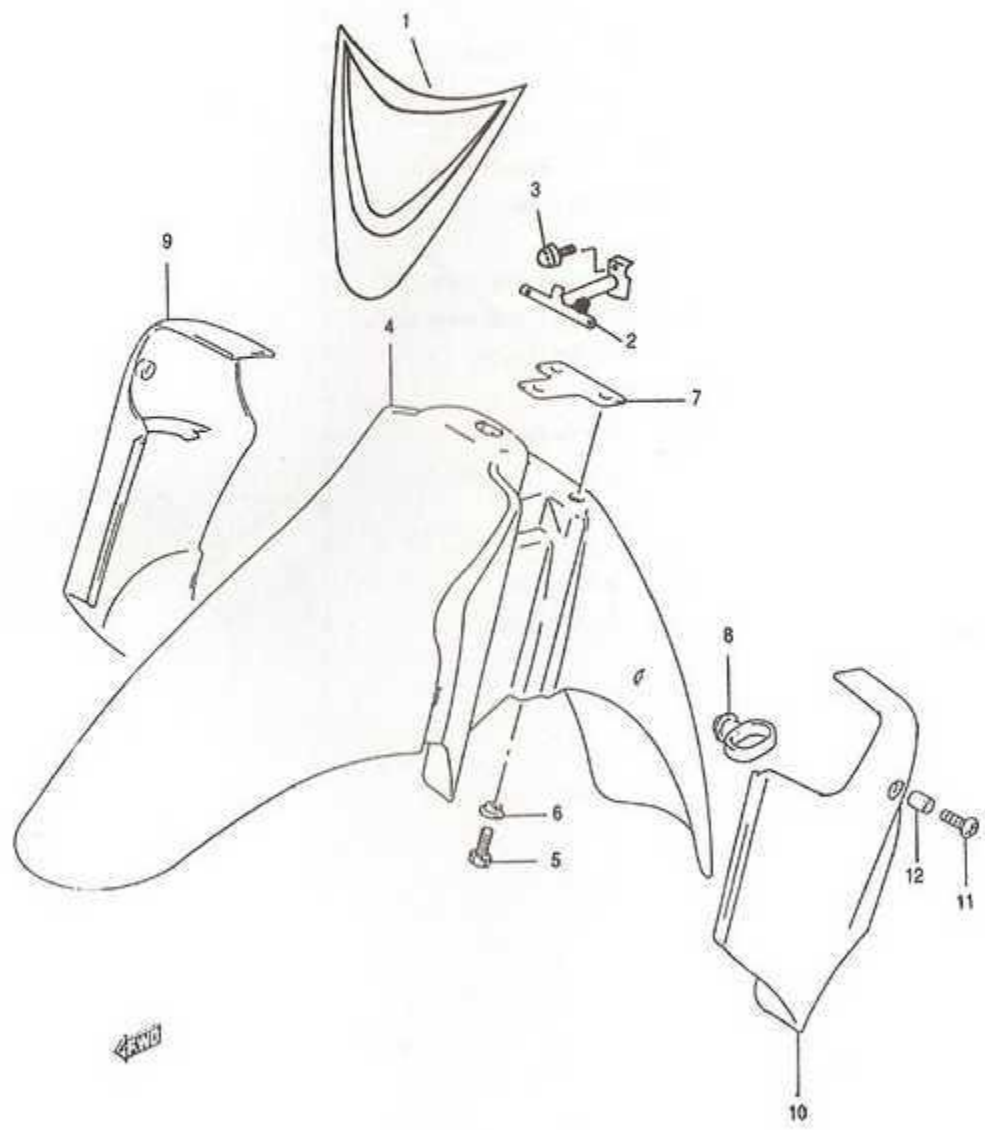
REF. NO.	PART NO.	DESCRIPTION	QTY	REMARKS
1	48111M21D10	LEG SHIELD ASSY, RH	1	
2	48121M21D10	LEG SHIELD ASSY, LH	1	
3	09148-04024	NUT, RH	2	
4	48131M21D10	LEG SHIELD, center	1	
5	03541-04203	SCREW center	2	
6	48161M21D90	SHIELD, leg lower RH	1	
7	48171M21D90	SHIELD, leg lower LH	1	
8	48198M21D00	SPACER, front	2	
9	09136-06113	SCREW, front	2	
10	09136-06009	SCREW, lower	4	
11	09180-06263	SPACER	4	
12	09320-09026	CUSHION	4	
13	02142-06123	SCREW, rear	2	
14	09169-06059	WASHER	2	
15	48180M21D00	BRACE, LEG SHIELD	1	
16	01570-06123	BOLT, BRACE	2	
17	48272M21D00	COVER, main switch	1	
18	09136-06017	SCREW, head tube	2	
19	03541-04123	SCREW, head cover	2	

4

FIG. 31

FIG. 31 (F-2) FRONT FENDER

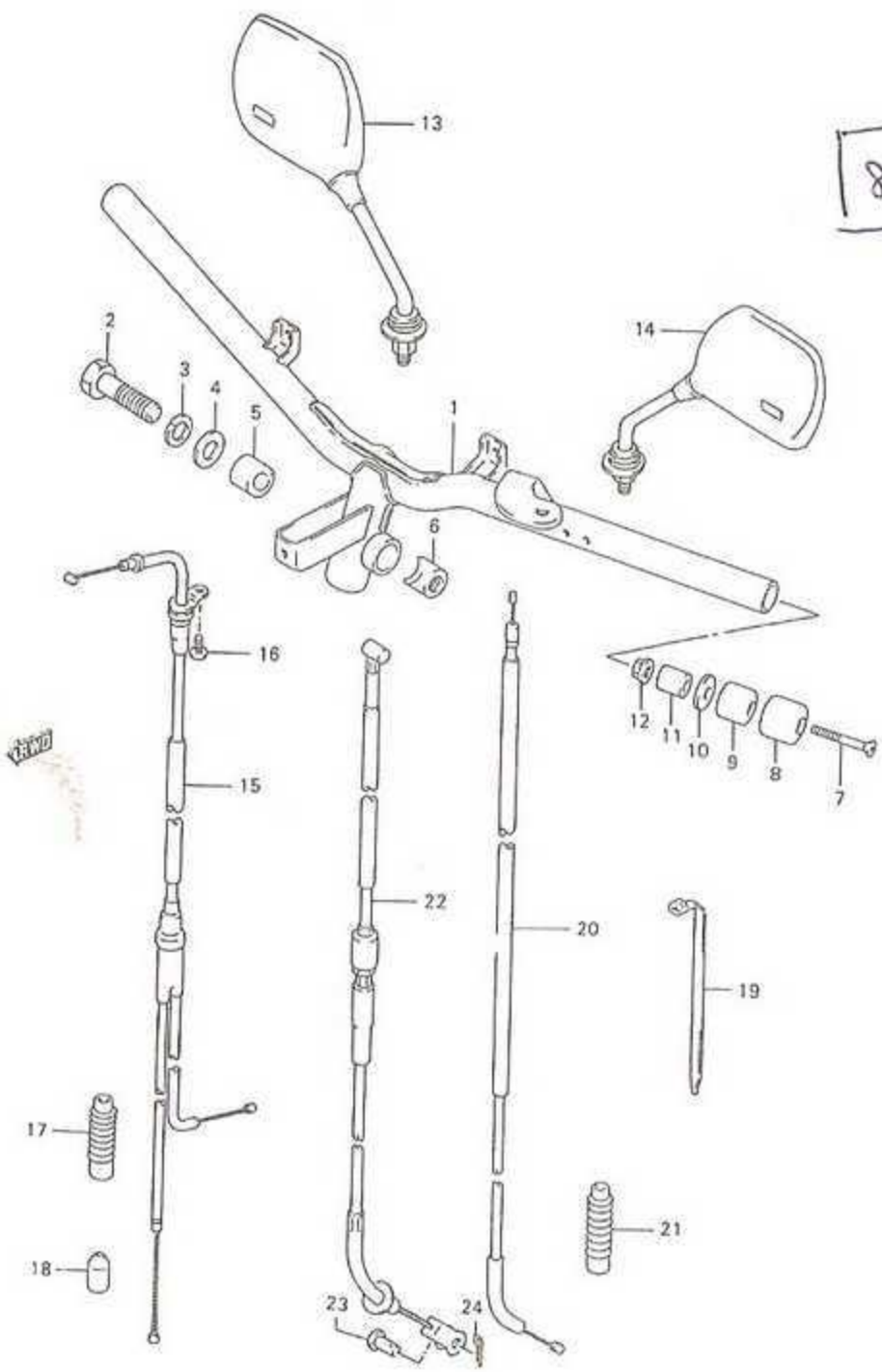
REF. NO.	PART NO.	DESCRIPTION	QTY	REMARKS
1	51871M21D90	COVER, frame head	1	
2	51860M-21D90	BRACKET, head cover	1	
3	01550-06123	BOLT	1	
4	53111M21D90	FENDER, front	1	
5	01500-06163	BOLT	3	
6	09169-06060	WASHER	3	
7	53124M35400	REINFORCEMENT, front fender	1	
8	58621-21203	GUIDE, cable	1	
9	51881M21D90	COVER, front fork side RH	1	
10	51882M21D90	COVER, front fork side LH	1	
11	02142-06167	SCREW	2	
12	09180-06092	SPACER		



4

FIG. 32

FIG. 32 (F-3) HANDLEBAR



REF. NO.	PART NO.	DESCRIPTION	QTY	REMARKS
1	56110M21D20	HANDLEBAR	1	
2	09100-12061	BOLT	1	
3	08321-01123	WASHER	1	
4	08322-01123	WASHER	1	
5	51358-35420	STOPPER, RH	1	
6	51350-35410	STOPPER, LH	1	
7	09127-06021	SCREW	2	✓ 4-8
8	56274-21D10	CAP, balancer	2	✓ 19.N
9	56271-21D10	BALANCER, handlebar	2	✓ 41.10 N
10-1	56275-34401	SPACER, balancer	2	✓ 6.6 N
10-2	56276-17D00	SPACER, balancer	2	
11-1	56272-44500	EXPANDER, balancer	2	✓ B-7
11-2	56272-21D00	EXPANDER, outer	2	✓
12	09159-06024	NUT	2	✓ 3
13	56500M21D00	MIRROR ASSY, rear view, RH	1	
14	56600M21D00	MIRROR ASSY, rear view, LH	1	
15	58300M21D30	CABLE ASSY, throttle	1	
16	02112-05123	SCREW	1	
17	58333-35400	SEAL, throttle dust	1	
18	09287-07002	SEAL, dust	1	
19	09407-19401	CLAMP	2	
20	58410M21D30	CABLE, starter	1	
21	58333-35400	SEAL, starter dust	1	
22	58200M21D10	CABLE ASSY, clutch	1	
23	09200-06004	PIN	1	
24	04111-20158	PIN, cotter	1	

4

FIG. 34

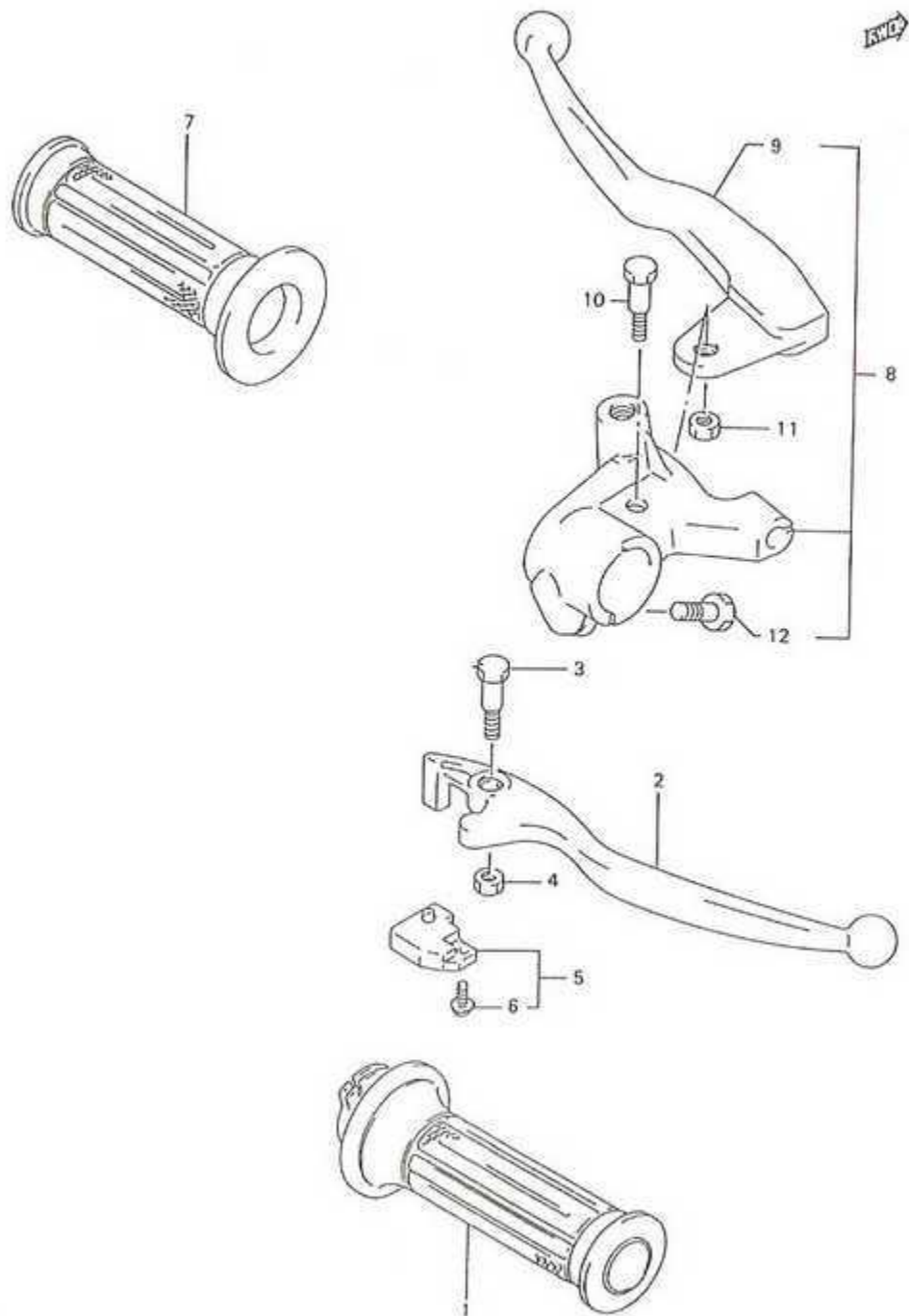


FIG. 34 (F-5) HANDLE LEVER

REF. NO.	PART NO.	DESCRIPTION	Q'TY	REMARKS
1	57110M35500	GRIP, throttle	1	
2	57421M21D10	LEVER, brake	1	
3	57431-21D00	BOLT, lever	1	
4	08319-21065	NUT	1	
5	57460-17C00	SWITCH ASSY, stop	1	
6	57465-17C00	.SCREW	1	
7	57211M34310	GRIP, LH	1	
8	57500M21D11	LEVER ASSY, clutch	1	
9	57621M21D10	.LEVER	1	
10	57431-45C00	.BOLT	1	
11	08319-21065	.NUT	1	
12	01547-06205	.BOLT	1	

4

FIG. 35

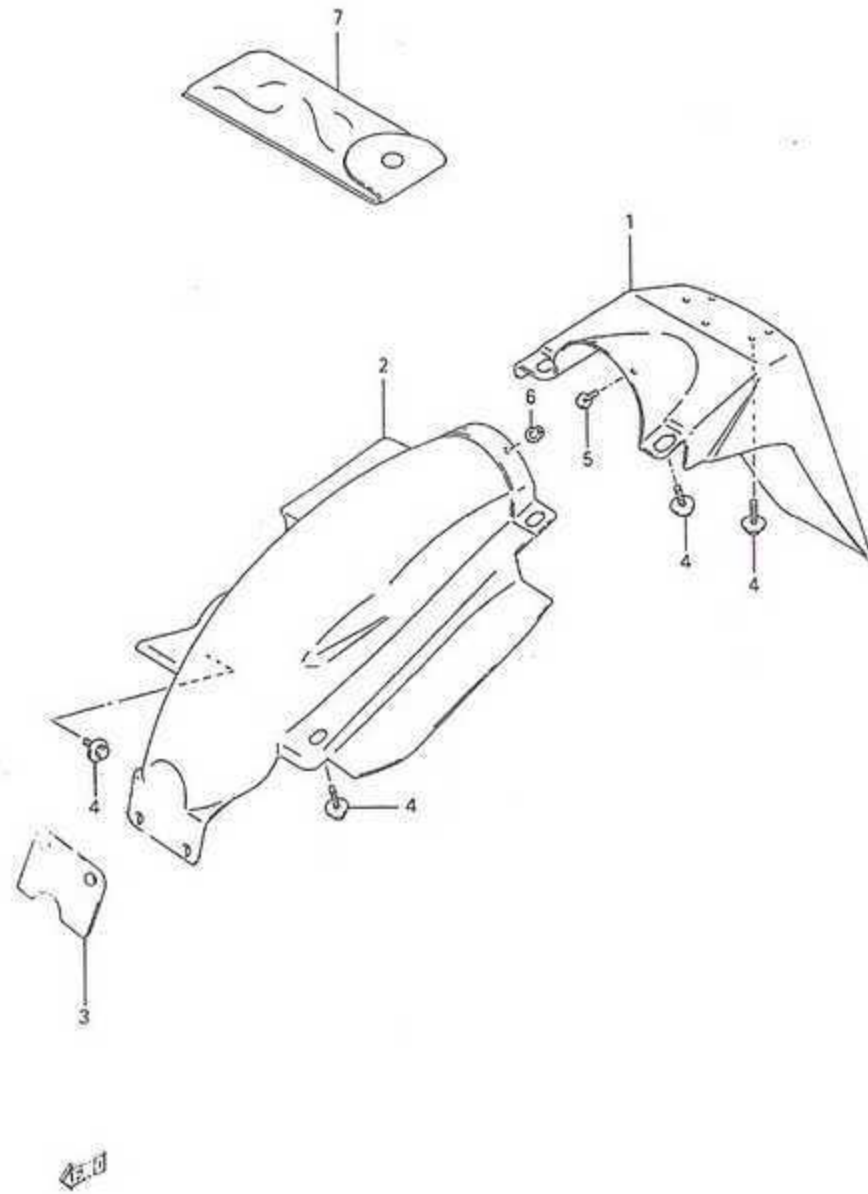


FIG. 35 (F-6) REAR FENDER

REF. NO.	PART NO.	DESCRIPTION	QTY	REMARKS
1	63111M21D10	BODY, rear fender rear	1	
2	63112M21D10	BODY, rear fender front	1	
3	63411M21D00	MUD GUARD, rear fender	1	
4	09116-06167	BOLT	6	
5	02142-05123	SCREW	2	
6	08316-10053	NUT	2	
7	09800-21026	TOOL ASSY	1	
8	99011-21D54-08A	MANUAL, owner's	1	Drawing not shown

4

FIG. 36

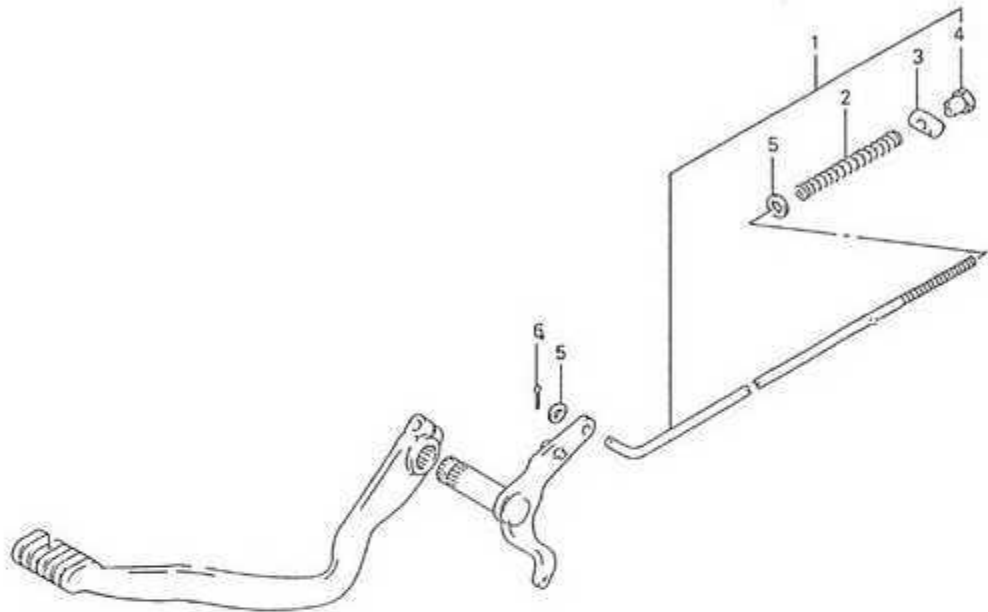


FIG. 36 (F-7) REAR BRAKE ROD

REF. NO.	PART NO.	DESCRIPTION	QTY	REMARKS
1	43300-21D10	ROD ASSY, rear brake	1	
2	09440-09035	.SPRING	1	
3	09209-11022	.PIN	1	
4	09150-06014	.NUT	1	
5	08322-01063	.WASHER	2	
6	04111-20208	.COTTER PIN	1	

4

← 370

FIG. 38

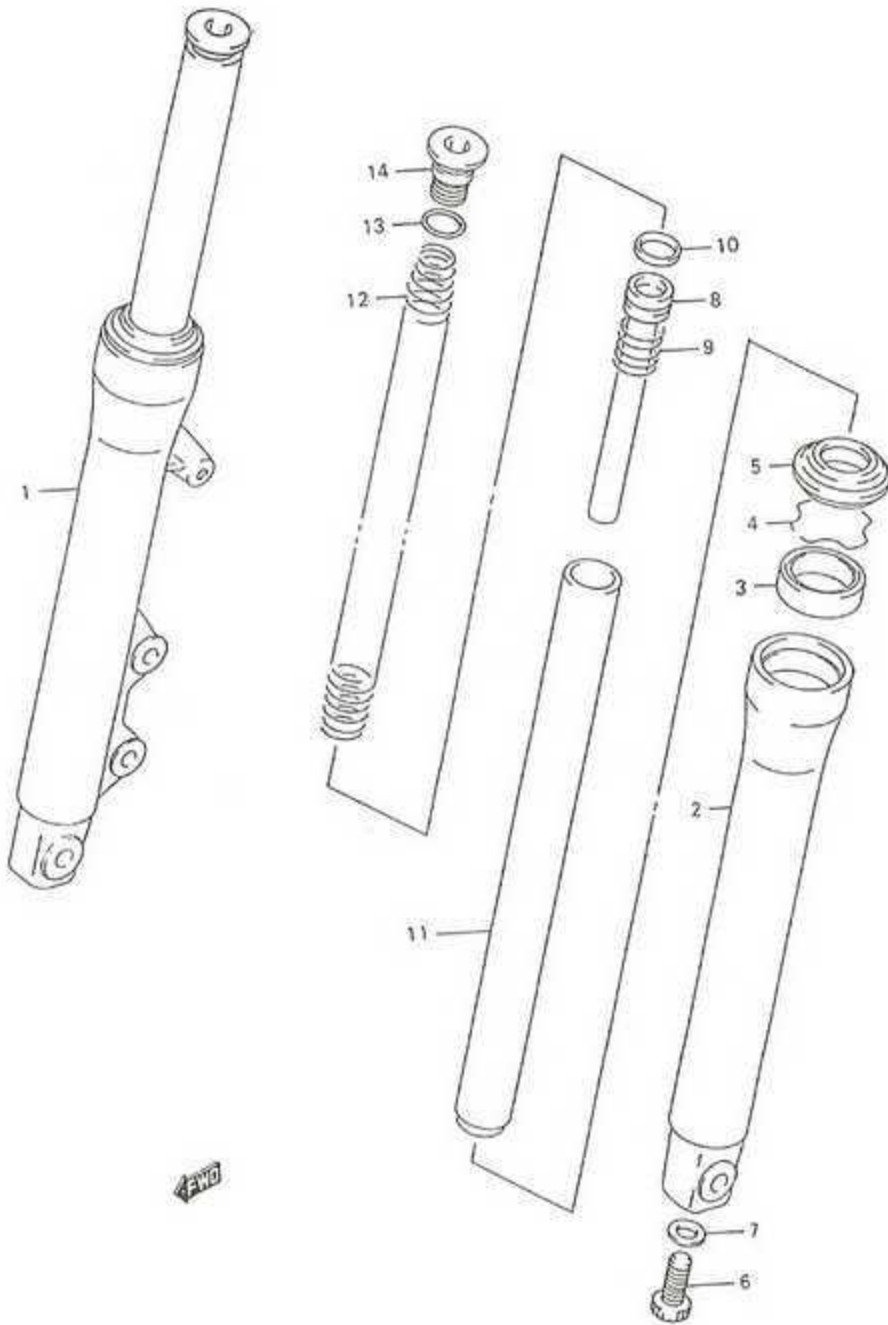


FIG. 38 (G-2) FRONT DAMPER

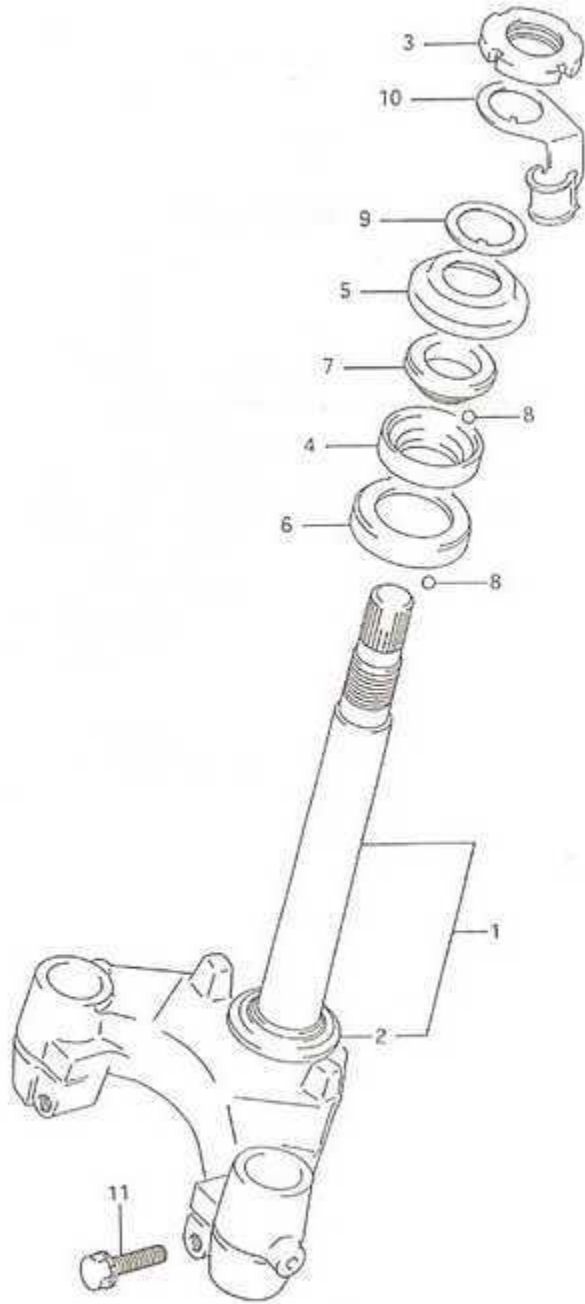
REF. NO.	PART NO.	DESCRIPTION	QTY	REMARKS
1	51103M21D11	DAMPER ASSY, front fork RH	1	
2	51104M21D11	DAMPER ASSY, front fork LH	1	
3	51130M21D11	.TUBE, outer RH	1	
4	51140M21D11	.TUBE, outer LH	1	
5	51153M39140	.OIL SEAL	2	
6	51156M39140	.RING, snap	2	
7	51173M21D00	.DUST SEAL	2	
8	51147M16510	.BOLT, cylinder	2	
9	51148M41310	.GASKET	2	
10	51146M21D00	.CYLINDER	2	
11	51177M35400	.SPRING	2	
12	51196M-39140	.RING	2	
13	51110M-21D10	.TUBE, INNER	2	
14	51171M-21D10	.SPRING	2	
15	51181M-37B00	.O. RING	2	
16	51351M-21D10	.CAP	2	

4

FIG. 39

FIG. 39 (G-3) STEERING STEM

REF. NO.	PART NO.	DESCRIPTION	QTY	REMARKS
1	51410-21D11	STEM, steering	1	
2	51622-35400	RACE	1	
3	51631-05000	NUT, steering stem	1	
4	51611-20002	RACE, inner upper	1	
5	51643-06001	DUST SEAL, upper	1	
6	51612-35400	RACE, inner lower	1	
7	51621-25000	RACE, outer upper	1	
8	06111-06003	BALL, steering steel	49	
9	09166-24001	WASHER	1	
10	59251M-21D10	CLAMP, hose	1	
11	01570-08307	BOLT, stem	2	

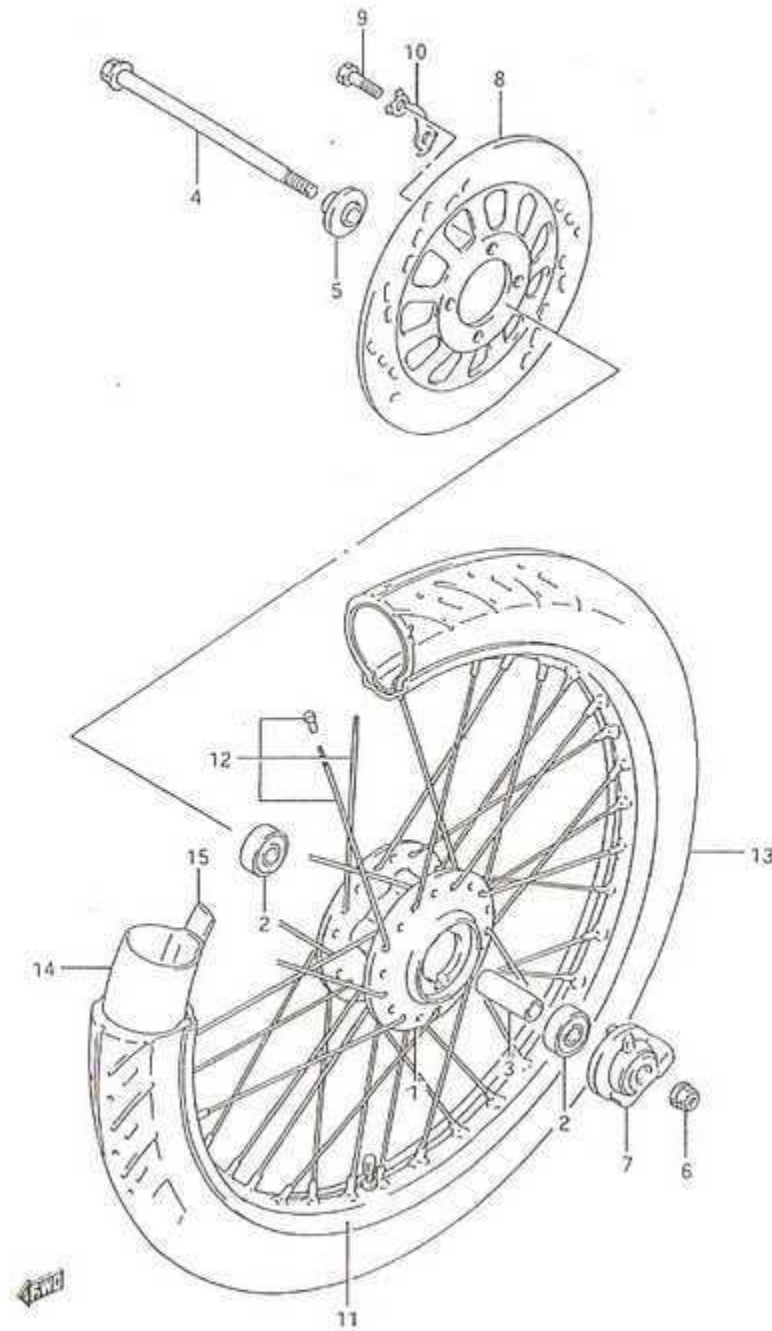


Handwritten notes:
 No. 8
 22
 10-15
 20-25
 12-15

FIG. 40

FIG. 40 (G-4) FRONT WHEEL

REF. NO.	PART NO.	DESCRIPTION	Q'TY	REMARKS
1	54111M46100	HUB, front wheel	1	
2	08123-63007	BEARING	2	
3	09180-10148	SPACER, front hub (10.2x16x51)	1	
4	54711-13601	AXLE, front	1	
5	54750-46100	SPACER, front axle RH	1	
6	08319-31107	NUT	1	
7	54600-21D00	BOX, ASSY. speedometer gear	1	
8	59211-21D50	DISC, front brake	1	
9	09100-08094	BOLT (8x30)	4	
10	09169-08019	WASHER	2	
11	55311M46100	RIM, front wheel (17x40)	1	
12	55320M46100	SPOK ASSY, front wheel	1	
13	55110M38D00	TIRE, front (70/90-17 38P) IRC	1	
14	55200M-01011	TUBE ASSY, wheel inner	1	
15	55261-01010	PROTECTOR, wheel inner	1	



4

FIG. 41

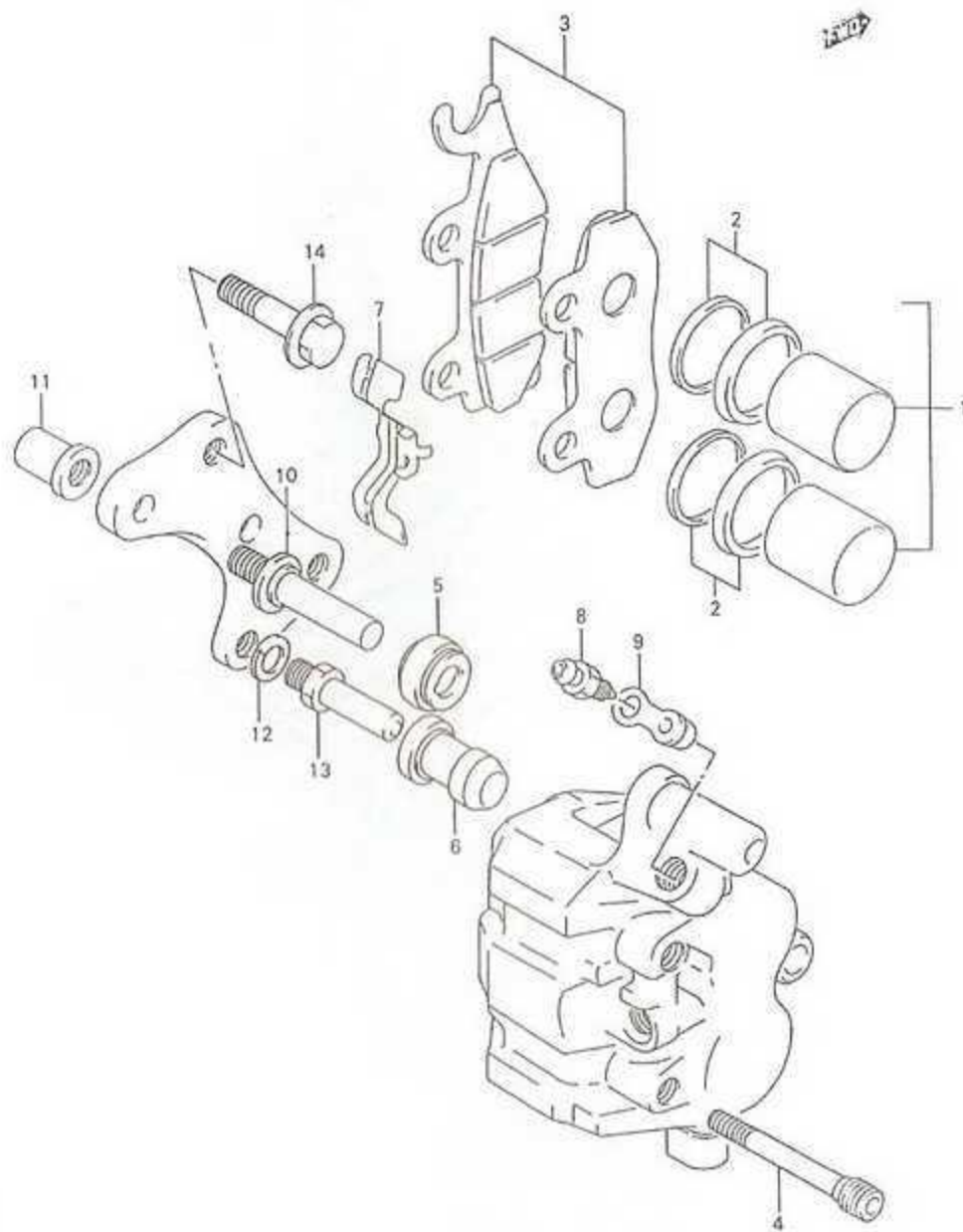


FIG. 41 (G-5) FRONT CALIPER

REF. NO.	PART NO.	DESCRIPTION	QTY	REMARKS
	59100-21D21	CALIPERS ASSY, front	1	
1	69100-31810	.PISTON SET	1	
2	59300-13820	.SEAL SET, piston	1	
3	59100M21850	.PAD SET	1	
4	59345-14600	.PIN	2	
5	59303-14500	.BOOT	1	
6	59386-13A00	.BOOT	1	
7	69115-31D10	.SPRING	1	
8	59121-01A00	.BLEEDER	1	
9	59122-01A00	.CAP, bleeder	1	
10	59387-00B20	.PIN	1	
11	59388-00B20	.NUT		
12	59314-13A00	.WASHER		
13	59382-13A00	.BOLT		
14	09103-08107	BOLT		

4

FIG. 42

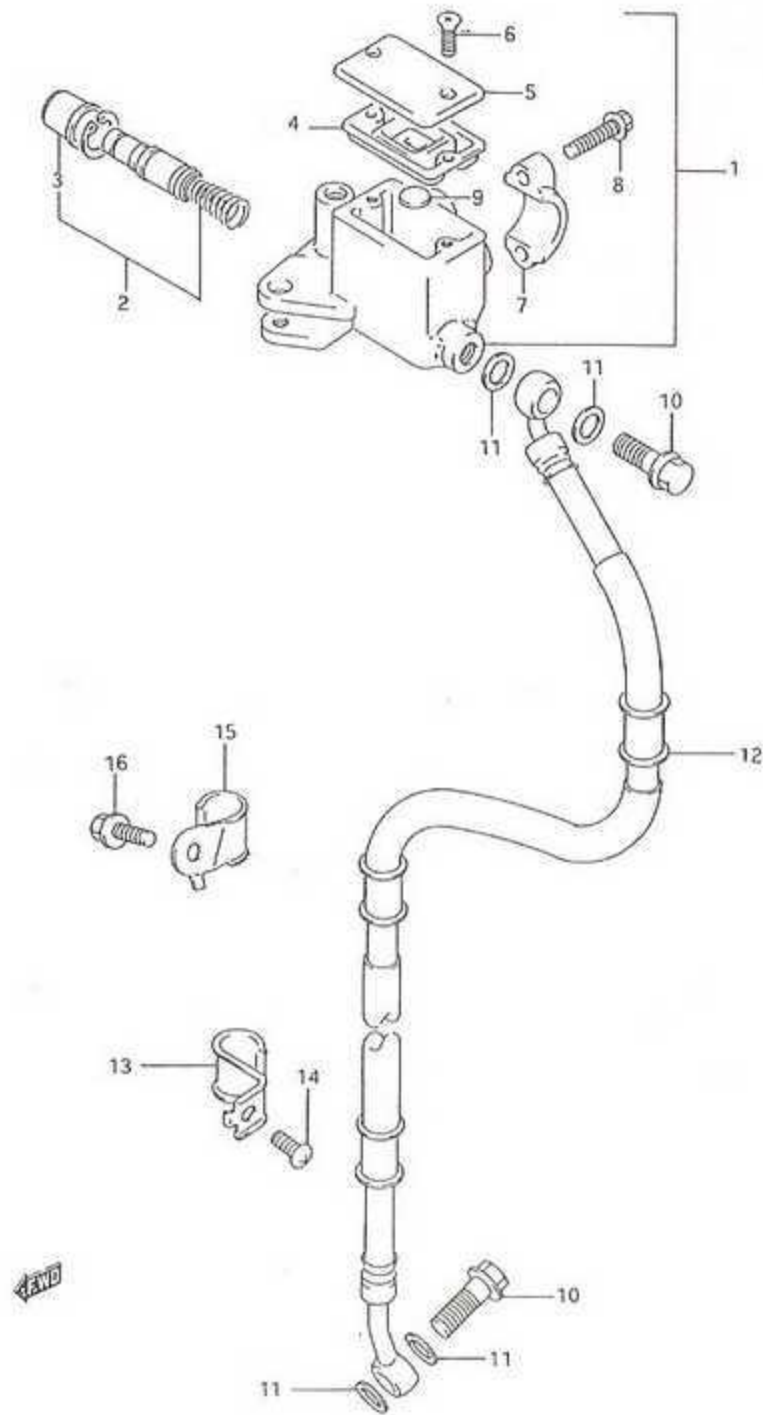


FIG. 42 (G-6) FRONT MASTER CYLINDER

REF. NO.	PART NO.	DESCRIPTION	QTY	REMARKS
1	59600-21D10	CYLINDER ASSY, front master	1	
2	59600-21810	.PISTON & CUP SET	1	
3	59666-44300	.BOOT	1	
4	59667-44B00	.DIAPHRAGM	1	
5	69669-24A01	.CAP	1	
6	69689-49300	.SCREW	2	
7	59671-36500	.HOLDER	1	
8	59675-19C00	.BOLT	2	
9	59748-14500	.SEPARATOR	1	
10	09360-10042	BOLT (10x1.25x22)	2	
11	09161-10009	WASHER (10x15x1.5)	4	
12	59480-21D10	HOSE, front brake	1	
13	59246M21D00	CLAMP, hose lower	1	
14	01550-06123	BOLT	1	
15	59241M21D10	CLAMP, hose	1	
16	02142-06123	SCREW	1	

4

FIG. 43

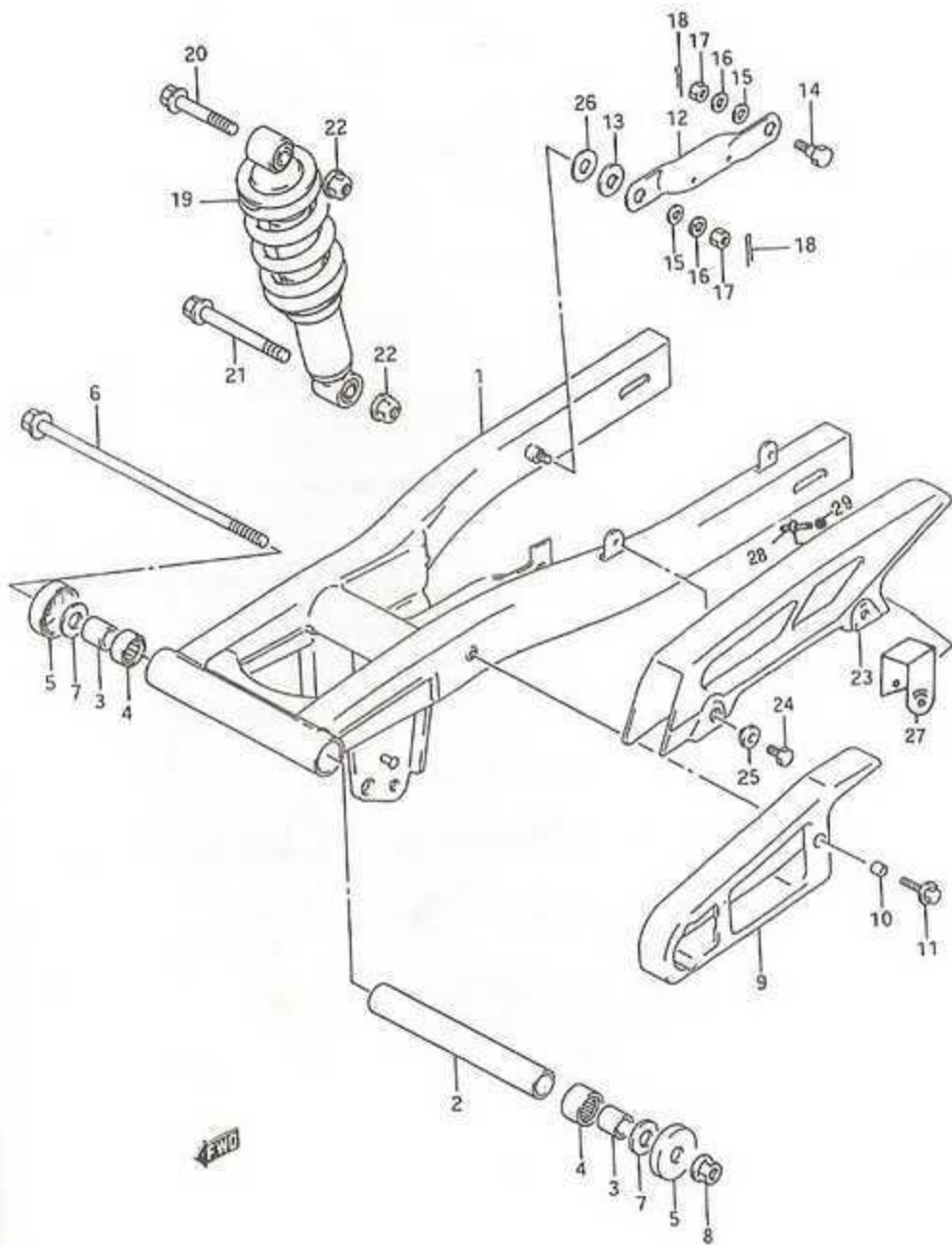


FIG. 43 (G-7) REAR SWINGING ARM

REF. NO.	PART NO.	DESCRIPTION	Q'TY	REMARKS
1	61100M21D21	SWINGING ARM, rear	1	
2	61282-21D01	SPACER, center	1	
3	61251-21D01	SPACER	2	
4	09263-17011	BEARING (17x24x20)	2	
5	61262-21D00	DUST SEAL	2	
6	61211-21D00	SHAFT, rear swinging arm	1	
7	08211-12281	WASHER	2	
8	08319-31128	NUT	1	
9	61273M21D00	BUFFER, chain touch defense	1	
10	09180-06255	SPACER (6.5x9x3.80)	1	
11	09116-06111	BOLT (6x20)	1	
12	64311M21D20	TORQUE LINK, rear	1	
13	64322-09401	CUSHION, torque link	1	
14	09111-08013	BOLT (8x26.5)	1	
15	08322-01083	WASHER	2	
16	09162-08008	WASHER	2	
17	09140-08008	NUT	2	
18	04111-20208	PIN, cotter	2	
19	62100M21D20	ABSORBER ASSY, rear shock	1	
20	09103-10141	BOLT, upper (10x1245)	1	
21	09103-10083	BOLT, lower (10x85)	1	
22	08319-31105	NUT	2	
23	61311M-21D00	CASE, chain	1	
24	01517-09105	BOLT (6x10)	2	
25	09169-06401	WASHER	2	
26	09160-10078	WASHER, front outer	1	
27	61311M21D99A	REINF, chain case	1	
28	09229M21D99A	RIVET, reinf, chain case	1	
29	08322M01038	WASHER, reinf, chain case	1	

4

FIG. 44

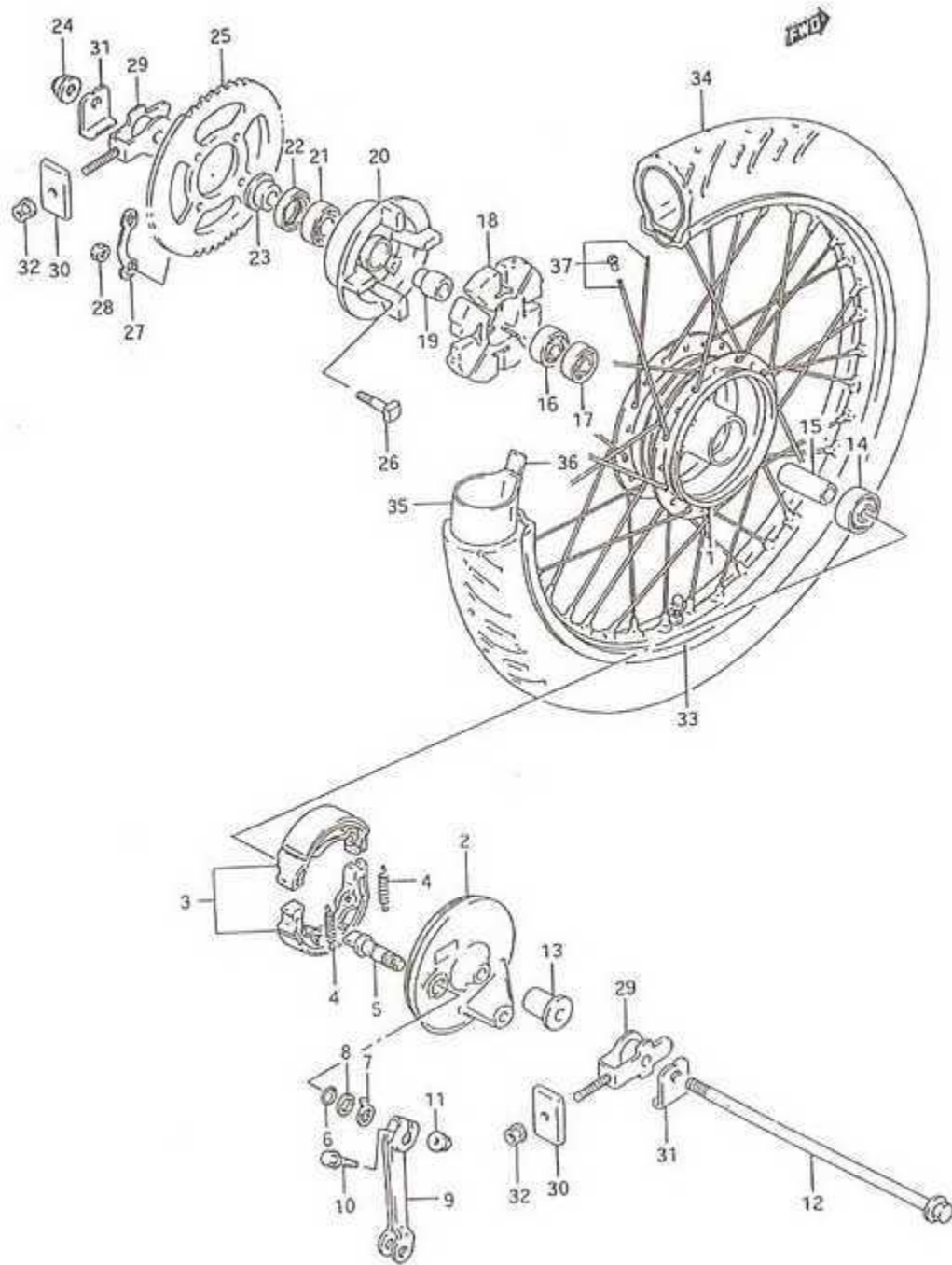


FIG. 44 (G-8) REAR WHEEL

REF. NO.	PART NO.	DESCRIPTION	QTY	REMARKS
1	64110M-35301	DRUM, rear hub	1	
2	64210M21D00	PANEL, rear brake anchor	1	
3	54401-35840	SHOE SET, brake	1	
4	09443-07025	SPRING	2	
5	64441-21D00	SHAFT, brake cam	1	
6	09280-14003	O RING (ID: 13.8, D:2.40)	1	
7	54492-35400	PLATE, brake lining	1	
8	09160-14003	WASHER	1	
9	64451-21D01	LEVER, brake cam	1	
10	01550-06353	BOLT	1	
11	08316-10063	NUT	1	
12	64711-21D00	AXLE, rear	1	
13	64731M-21D00	SPACER, rear axle, RH	1	
14	08143-63017	BEARING, RH	1	
15	09180-12143	SPACER, bearing (12.5x19x48)	1	
16	08143-62017	BEARING, LH	1	
17	08113-62017	BEARING, inner LH	1	
18	64651M010B1	ABSORBER, rear hub shock	1	
19	64733-43000	RETAINER, rear sprocket drum	1	
20	64611M26500	DRUM, sprocket mounting	1	
21	08113-62037	BEARING	1	
22	09285-25003	OIL SEAL (25x40x6)	1	
23	64741M21D00	SPACER, rear axle, LH	1	
24	08319-31128	NUT	1	
25	64511-21D20	SPROCKET, REAR (NT:42)	1	
26	09105-08011	BOLT	4	
27	09169-08011	LOCK WASHER	2	
28	08310-00083	NUT	4	
29	61410-21D00	ADJUSTER, chain	2	
30	61421M21D00	PLATE, chain adjuster guide	2	
31	64712M21D00	WASHER	2	
32	08319-31087	NUT	2	
33	65311M46730	RIM, wheel (1.60x17)	1	
34	65110M38D00	TIRE, rear (80/90-17 44P) IRC	1	
35	55200-03600	TUBE ASSY, inner	1	
36	55261-01010	PROTECTOR, inner tube	1	
37	65320M03021	SPOKE SET, rear wheel	1	

4

FIG. 17

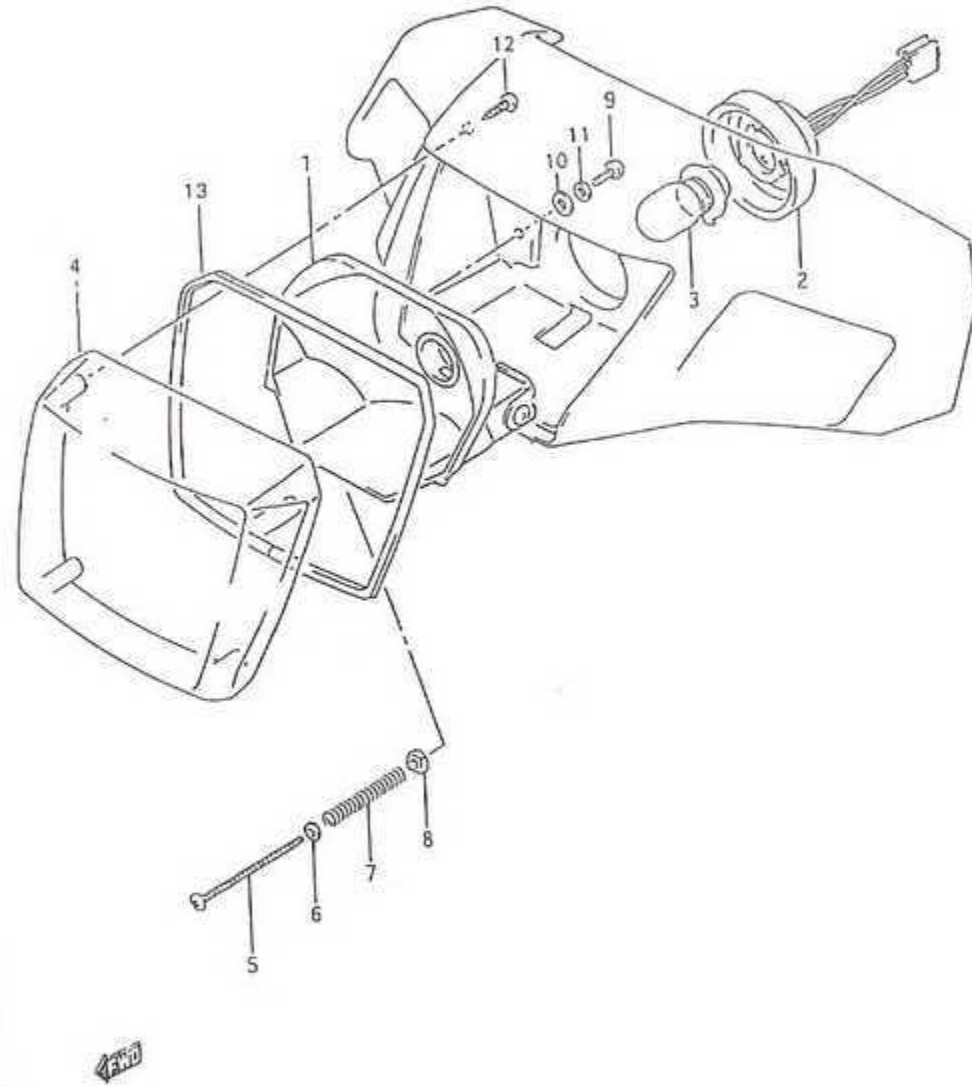


FIG. 17 (D-6) HEADLAMP

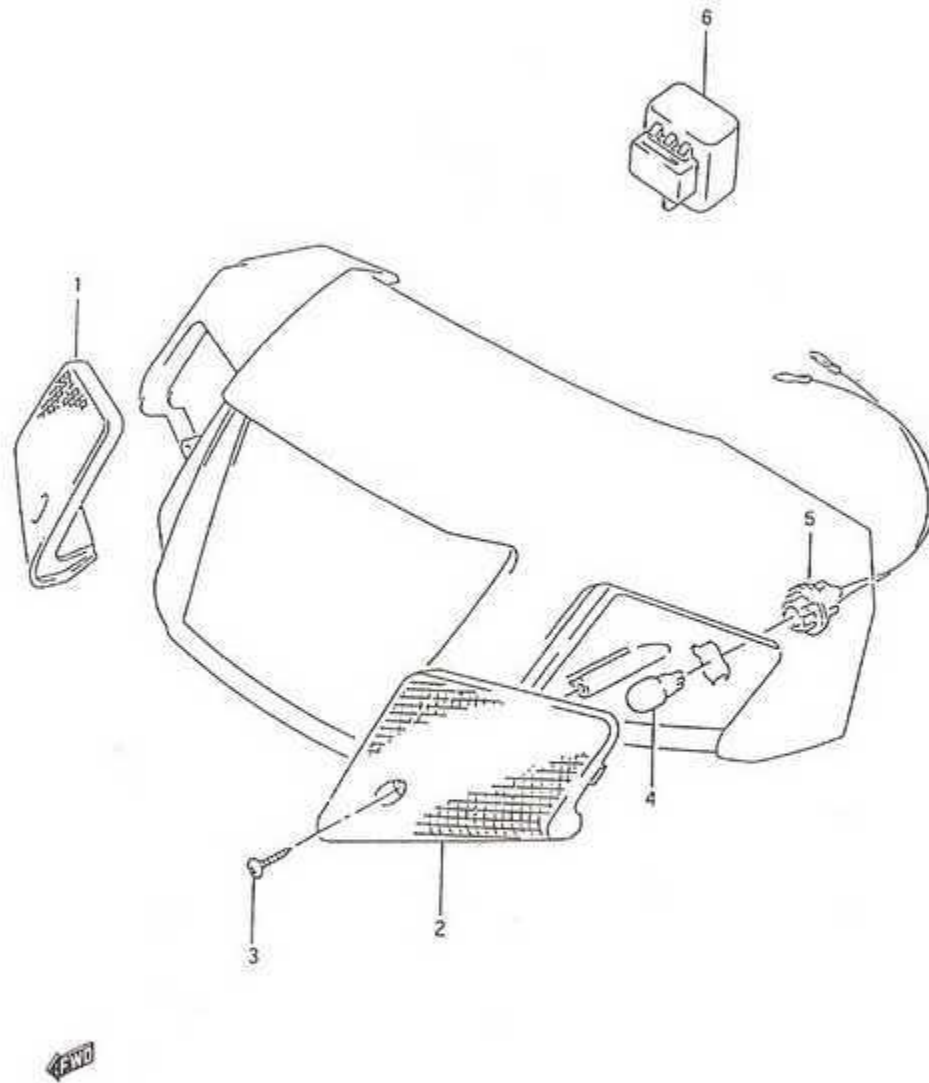
REF. NO.	PART NO.	DESCRIPTION	QTY	REMARKS
1	35120-31C00	REFLECTOR, headlamp	1	
2	35171-37B00	.SOCKET	1	
3	09471-12013	.BULB (12V, 25/25W)	1	
4	35124M21DM0	LENS, headlamp	1	
5	09125-04501	SCREW, adjuster (4x45)	1	
6	35128-37B00	WASHER	1	
7	35154-49200	SPRING	1	
8	35152-45600	NUT	1	
9	02112-05123	SCREW	2	
10	08321-01057	WASHER	2	
11	08322-01057	LOCK WASHER	2	
12	09132-04026	SCREW	4	
13	35125M21DM0	GASKET, lens	1	

3

FIG. 18

FIG. 18 (D-7) FRONT TURNSIGNAL LAMP

REF. NO.	PART NO.	DESCRIPTION	QTY
1	35612M21DM0	LENS, FR turnsignal RH	1
2	35632M21DM0	LENS, FR turnsignal LH	1
3	03511-04163	SCREW	2
4	09471M12D99A	BULB (12V, 10W)	2
5	35618-37B00	SOCKET	2
6	38610-09410	RELAY ASSY, turnsignal	1



3

FIG. 33

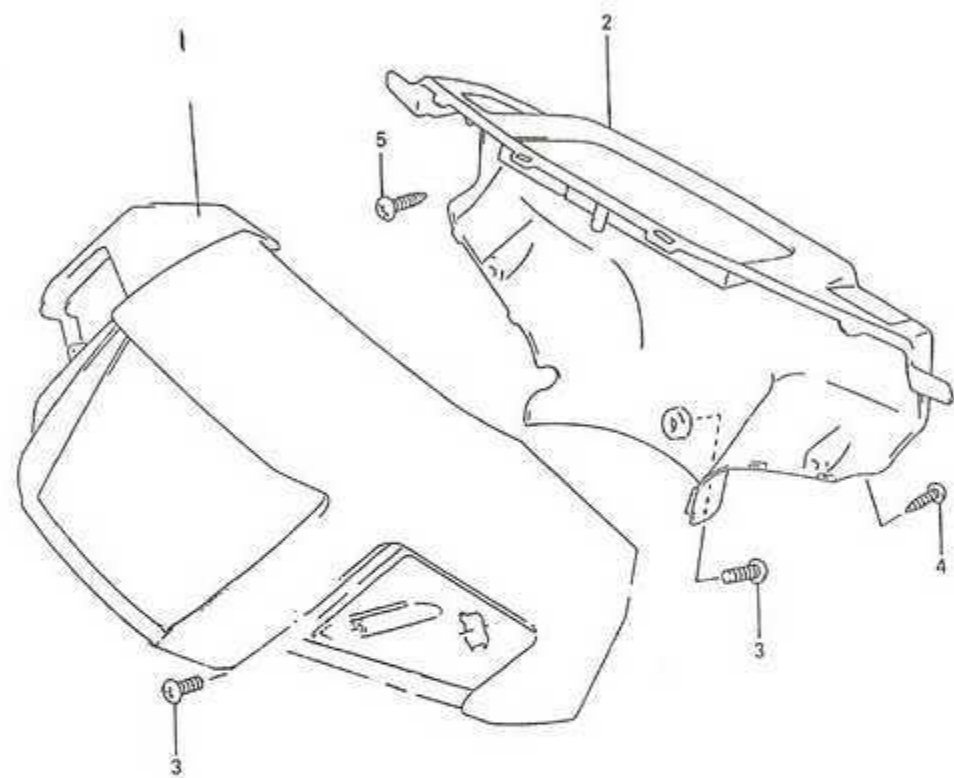


FIG. 33 (F-4) HANDLE COVER

REF. NO.	PART NO.	DESCRIPTION	QTY	REMARKS
1	56311M21D90	COVER, handle front	1	
2	56321M21D90	COVER, handle rear	1	
3	02142-05123	SCREW, FR/RR	2	
4	03511-04163	SCREW, side	2	
5	03511-05163	SCREW, upper	2	

4